



# International Skeleton Rules

## 2014

# Table of Contents

1.	FIBT COMPETITIONS .....	7
1.1	<i>Olympic Winter Games</i> .....	7
1.1.1	Senior Olympic Winter Games.....	7
1.1.2	Youth Olympic Winter Games.....	7
1.2	<i>Championships</i> .....	7
1.2.1	Senior World Championships .....	7
1.2.2	Junior World Championships .....	7
1.2.3	Continental Championships.....	7
1.3	<i>Official FIBT Competitions</i> .....	7
1.3.1	World Cup Competitions .....	7
1.3.2	Intercontinental Cup Competitions.....	7
1.3.3	Europe Cup and North American Cup Competitions.....	7
1.3.4	International Competitions.....	7
1.4	<i>Test Competitions and Training Week</i> .....	7
1.5	<i>Allocation of Competitions</i> .....	8
1.6	<i>Gender</i> .....	8
2.	DISCIPLINES.....	9
2.1	<i>Men's Skeleton</i> .....	9
2.2	<i>Women's Skeleton</i> .....	9
2.3	<i>Team Competition</i> .....	9
2.3.1	Men: One 2-man/4-men Bobsleigh and one Skeleton.....	9
2.3.2	Women: One 2-man Bobsleigh and one Skeleton .....	9
2.4	<i>Other Disciplines</i> .....	9
2.4.1	<b>Para Skeleton</b> .....	9
2.4.2	Combined Event .....	9
2.4.3	Knockout System .....	9
3.	ADMISSION.....	9
4.	RIGHT TO PARTICIPATE IN COMPETITIONS .....	10
4.1	<i>Olympic Winter Games</i> .....	10
4.2	<i>Senior World Championships</i> .....	10
4.2.1	Requirements for participation in the Senior World Championships.....	10
4.3	<i>Junior World Championships</i> .....	10
4.3.1	Requirements for participation in the Junior World Championships: .....	10
4.4	<i>Continental Championships</i> .....	10
4.5	<i>World Cup and Intercontinental Cup</i> .....	11
4.5.1	World Cup .....	11
4.5.2	Intercontinental Cup .....	11
4.6	<i>Europe Cup and North American Cup</i> .....	11
4.6.1	Europe Cup .....	12
4.6.2	America's Cup .....	12
4.7	<i>International Competitions</i> .....	12
5.	EVENT .....	12
5.1	<i>General</i> .....	12
5.2	<i>Costs</i> .....	12
5.3	<i>Track</i> .....	12
5.4	<i>Event Announcements and Invitations</i> .....	12
5.5	<i>Organizing Committee and Race Director</i> .....	13
5.6	<i>Technical Equipment</i> .....	13
5.7	<i>Liability Insurance</i> .....	13
5.8	<i>Further Obligations of the Organizer</i> .....	14
6.	JURY AND TECHNICAL DELEGATES .....	14
6.1	<i>Jury License</i> .....	14
6.2	<i>License for Material Controls</i> .....	14
6.3	<i>Nomination</i> .....	14

6.3.1	Olympic Winter Games	14
6.3.2	Senior World Championships	14
6.3.3	Junior World Championships, Continental Championships, World Cup and Intercontinental Cup	15
6.3.4	Europe Cup and North American Cup	15
6.3.5	International Competitions	15
6.4	Authority	15
6.4.1	Jury	15
6.4.2	Technical Delegates	15
6.4.3	Attendance	15
6.4.4	Expenses	16
6.4.5	Authority to Inspect	16
6.4.6	Special Decisions	16
7.	RACE DIRECTOR	16
7.1	Appointment	16
7.2	Duties	16
8.	GENERAL REGULATIONS	16
8.1	Sporting Year	16
8.2	Liability	16
8.3	Amateurism Rules	16
8.4	Licenses	16
8.5	Insurance	17
8.6	Entries	17
8.7	Acceptance of the International Rules	17
8.8	Track Records and Start Records	17
8.9	Doping Controls	17
8.10	Rule Violations	18
8.10.1	Athlete Support Person Rule Violations	18
8.10.2	Prohibited Association	18
8.10.3	Burden of Proof	19
8.11	Sponsorship and Advertising	19
8.12	Trademarks on Equipment	19
8.12.1	FIBT Properties	19
8.12.2	Freely Available Advertising Areas	19
9.	MEDICAL SERVICE AT THE TRACK	19
9.1	Race Doctor	19
9.2	Team Doctor	20
9.3	Evacuation of injured athletes	20
10.	THE COMPETITION	20
10.1	Official Training	20
10.1.1	Olympic Winter Games and Senior World Championships	20
10.1.2	Continental Championships, World Cup and Intercontinental Cup	20
10.1.3	Junior World Championships, Europe Cup and North American Cup	20
10.1.4	International Competitions	20
10.2	Starting Order During Training	21
10.3	Track Conditions During Training	21
10.4	Start Grooves	21
10.5	Replacement of Athletes	21
10.6	The Race	21
10.6.1	Race Heats	21
10.6.2	Starting Order	22
10.6.3	Starting Order System	22
10.6.4	Start Number	22
10.6.5	Athletes and Manner of Driving	23
10.6.6	Track Conditions during the Race	23
10.6.7	Track Walks	23
10.6.8	Start	23
10.6.9	Reduction	23
10.6.10	Interruption or Cessation	23

10.6.11	Repetition of a Heat .....	24
10.6.12	Replacement Races .....	24
10.6.13	Pilot Sleds .....	24
10.6.14	Time Measurement .....	24
10.7	<i>Parc Fermé</i> .....	24
10.8	<i>Material and Equipment</i> .....	24
10.8.1	Sled .....	24
10.8.2	Runners (General) .....	25
10.9	<i>Technical Inspections</i> .....	25
10.10	<i>Runner Diameter</i> .....	26
10.11	<i>Measurement of Runner Temperatures</i> .....	26
10.12	<i>Reference Runner</i> .....	27
10.13	<i>Runner Cleaning</i> .....	27
10.14	<i>Weight</i> .....	27
10.15	<i>Electronic Measuring Devices and Equipment</i> .....	28
10.16	<i>Other Equipment</i> .....	28
10.16.1	Helmet .....	28
10.16.2	Shoes .....	28
10.16.3	Clothing .....	28
10.17	<i>Awards</i> .....	28
10.17.1	FIBT Championships .....	28
10.17.2	Official FIBT Competitions .....	28
10.18	<i>Awards Ceremony</i> .....	29
10.19	<i>Protests</i> .....	29
11.	<b>RANKING LISTS</b> .....	29
11.1	<i>Ranking List of the Race Series</i> .....	29
11.2	<i>FIBT Ranking List</i> .....	29
12.	<b>FINAL CLAUSES</b> .....	30
12.1	<i>Coming into Force</i> .....	30
12.2	<i>Modifications</i> .....	30
12.3	<i>Interpretation</i> .....	30
13.	<b>APPENDIX 1: FIBT RANKING LIST</b> .....	31
14.	<b>APPENDIX 2: SKELETON SLEDS WITH DRAWINGS</b> .....	32
14.1	<i>Basic Principles</i> .....	32
14.2	<i>Construction</i> .....	32
14.3	<i>Dimensions (Figures 1, 2 &amp; 3)</i> .....	32
14.4	<i>Construction Frame (Figures 1 &amp; 2)</i> .....	33
14.5	<i>Saddle with Handles (Figures 1, 2 &amp; 3)</i> .....	33
14.6	<i>Base Plate</i> .....	33
14.7	<i>Weights</i> .....	34
14.8	<i>Runners (Figure 5)</i> .....	34
14.9	<i>Bumpers (Figures 1, 2 &amp; 3)</i> .....	34
14.10	<i>Sled Coverings</i> .....	35
14.11	<b>DRAWINGS</b> .....	36
14.12	<i>Equipment</i> .....	39
15.	<b>APPENDIX 3: MATERIAL SEIZURE</b> .....	40
15.1	<b>PROCEDURE FOR THE SEIZURE OF SLED COMPONENTS FOR CONFORMITY TESTS</b> .....	40
15.2	<i>The Form</i> .....	40
15.3	<i>The Container</i> .....	40
15.4	<i>Remarks</i> .....	40
16.	<b>APPENDIX 4: THE TRACK</b> .....	42
16.1	<i>Scope</i> .....	42
16.2	<i>Environmental Protection</i> .....	42
16.3	<i>Technical Commission</i> .....	42
16.4	<i>Preparatory Phase of Design</i> .....	42
16.5	<i>Design in General</i> .....	42

16.6	<i>Location of the Track</i> .....	42
16.7	<i>Length of the Track</i> .....	42
16.8	<i>Track Characteristics</i> .....	43
16.9	<i>Starting Area: Bobsleigh and Skeleton</i> .....	43
16.9.1	Push-Off Stretch.....	43
16.9.2	Start Block (Wooden Board).....	43
16.9.3	Starting Area.....	43
16.9.4	Preparation.....	43
16.9.5	Start Procedure Time Limit.....	43
16.10	<i>Luge Start</i> .....	43
16.10.1	General Aspects.....	43
16.10.2	Starting Zone.....	43
16.10.3	Push-Off Grips.....	43
16.10.4	Starting Stretch.....	44
16.11	<i>Bends</i> .....	44
16.12	<i>Guardrails in Bends</i> .....	44
16.13	<i>Centrifugal Force</i> .....	44
16.14	<i>Straights</i> .....	44
16.15	<i>Deceleration Stretch</i> .....	45
16.16	<i>Lighting</i> .....	45
16.17	<i>Solar and Weather Protection Devices</i> .....	45
16.18	<i>Water Supply</i> .....	45
16.19	<i>Catwalks</i> .....	45
16.20	<i>Infrastructures - Ancillary Facilities</i> .....	45
16.21	<i>Buildings at the Start and Finish</i> .....	46
16.22	<i>Partitioning of Costs</i> .....	46
16.23	<i>Exceptions</i> .....	46
16.24	<i>Homologation</i> .....	46
17.	APPENDIX 5: ADVERTISING GUIDELINES AND DRAWINGS.....	47
18.	APPENDIX 6: THE FIBT AND THE ENVIRONMENT.....	48
18.1	<i>Our Events</i> .....	48
18.2	<i>Seven steps to greening your event</i> .....	49
18.2.1	Adopt a green policy.....	49
18.2.2	Carry out an 'Environmental Scoping Review' of venues and operations.....	49
18.2.3	Establish environmental teams.....	49
18.2.4	Define programmes and set appropriate targets.....	49
18.2.5	Implement programmes.....	49
18.2.6	Monitor implementation and adjust programme accordingly.....	49
18.2.7	Evaluate and publicize results.....	49
18.3	<i>Action Plan</i> .....	49
18.3.1	The impact of our sport.....	49
18.3.2	The Facility.....	50
18.4	<i>Areas of action</i> .....	50
18.4.1	Location and landscaping.....	50
18.4.2	Environmental elements to consider when choosing a location for sports venues are:.....	51
18.4.3	Natural resources:.....	51
18.4.4	Natural elements:.....	51
18.4.5	Perceptual elements:.....	51
18.4.6	Detailed planning, once the site location has been selected:.....	51
18.5	<i>Sport facilities</i> .....	51
18.5.1	Planning phase.....	51
18.5.2	Detailed planning.....	52
18.5.3	Construction phase.....	52
18.5.4	Operational phase.....	52
18.5.5	Sports equipment.....	53
18.5.6	Transportation.....	53
18.5.7	Energy.....	54
18.5.8	Accommodation and catering.....	54

---

18.5.9	Water management and sanitation .....	55
18.5.10	Waste management .....	55
18.6	<i>Large-scale Sports Events: Specific Recommendations</i> .....	56
18.6.1	Sports facilities.....	56
18.6.2	Transportation and air quality .....	56
18.6.3	Energy .....	56
18.6.4	Waste management .....	56
18.6.5	Environmental message to the public .....	57
18.6.6	Finances .....	57

## 1. FIBT COMPETITIONS

The FIBT competitions consist of the following events:

- 1.1 Olympic Winter Games
  - 1.1.1 Senior Olympic Winter Games
  - 1.1.2 Youth Olympic Winter Games
- 1.2 Championships
  - 1.2.1 Senior World Championships
  - 1.2.2 Junior World Championships
  - 1.2.3 Continental Championships
- 1.3 Official FIBT Competitions
  - 1.3.1 World Cup Competitions
  - 1.3.2 Intercontinental Cup Competitions
  - 1.3.3 Europe Cup and North American Cup Competitions
  - 1.3.4 International Competitions
- 1.4 Test Competitions and Training Week

The Organizers of FIBT competitions to be staged on newly constructed tracks shall offer all Members enough trainings in advance, during the preceding season respectively during the same season of the competition.

Training runs prior to races are to be offered also on any tracks that have been subject to constructional changes.

The Organizers of the Winter Olympic Games to be staged on newly constructed tracks shall offer a number of at least 40 training and competition runs prior to the Games to all Members. These training runs and competition runs must be offered in the form of two or more International Training periods, scheduled throughout the season.

Prior to the Games, the Organizers must also hold at least one test competition.

The quotas for participation in the International Training periods and in the test event are the same as for the World Cup of the season in which the International Training periods and/ or test event are held.

Furthermore the following nations can participate in the International Trainings periods and/or test event with 1 male or 1 female athlete:

- Men the first 7 nations,
- women the first 5 nations

not qualified for the World Cup, provided that these athletes have taken part in and been ranked in, a minimum of 5 FIBT competitions on a minimum of 3 different tracks in the course of the previous 24 months.

Nations that do not have the right to compete in the World Cup, may not participate with their athletes in the "Test event" but their athletes can train during **this time**.

Moreover, for reasons of fairness and safety, immediately prior to the start of official training for the Olympic competitions (whether before or after the Opening Ceremony), the athletes (male and female athletes) registered for the Games must be given the possibility of at least 4 training runs.

Male and female athletes who in the previous and/or current season placed in the top 15 of the FIBT rankings for discipline cannot do additional training runs beyond the number prescribed by the present Article. This does not apply to athletes from the host country.

Moreover, the organiser of the trainings periods and Test Event must grant that all participating athletes and their assistants/coaches will be provided with lodging in at least a three star hotel, full board, at a maximum price of 80 Euros per day.

The Organizers of the World Championships must offer an International Training period, to prepare for the championships and it must take place during the same competitive season in which the World Championships are organized. They are exempt from doing this if during the preceding competitive season a World Cup competition had been organized on the same track

During the training periods in preparation for the Winter Olympic Games and/or World Championships, the Organizer shall offer training runs upon payment of the following amount: a maximum of € 12 for each skeleton training run shall be offered.

If the training week is to be staged as a test competition, the Organizer must offer the runs free of charge.

However, the Organizer may require payment of the entry fee.

## **1.5 Allocation of Competitions**

### **a) World Championships**

The Congress assigns the World Championships to the respective Member Federations a maximum of four years in advance upon written application.

### **b) Official FIBT Competitions**

The remaining official FIBT competitions are assigned yearly by the FIBT Executive Committee, and must be listed on the FIBT International Calendar.

## **1.6 Gender**

If the FIBT International Rules do not explicitly indicate the gender, they apply to both men's and women's skeleton.

## **2. DISCIPLINES**

The following disciplines are contested:

- 2.1 Men's Skeleton**
- 2.2 Women's Skeleton**
- 2.3 Team Competition**
- 2.3.1 Men: One 2-man/4-men Bobsleigh and one Skeleton**
- 2.3.2 Women: One 2-man Bobsleigh and one Skeleton**
- 2.4 Other Disciplines**
  - 2.4.1 Para Skeleton**
  - 2.4.2 Combined Event**
  - 2.4.3 Knockout System**

## **3. ADMISSION**

The right to participate in championships and official FIBT competitions is reserved only for athletes registered by Members, i.e. athletes from

- MEMBERS or
- ASSOCIATE MEMBERS .

The athletes must fulfill one of the following conditions:

- they must hold citizenship of the nation of the Member or Associate Member concerned, and may not have taken part in international FIBT competitions on behalf of another nation, or
- they must have their official residence in the nation concerned, and may not have taken part in international FIBT competitions on behalf of another nation, or
- they must have changed their citizenship or their official residence, and have been released by their former Member / Associate Member and accepted by their new federation. In this case, the athlete may represent one of the two Members, but not both.

An athlete may represent only one nation during any competition season, which lasts from October 1 to September 30 of the following year.

Applications to change federations may only be submitted between March 31 and September 30 of each year.

When athletes switch nations, they keep their scores and ranking in the FIBT Ranking List, as well as the number of competitions in which they have participated; however, they do not keep the right to the previous quotas for participation, which remains tied to the nation of origin.

## 4. RIGHT TO PARTICIPATE IN COMPETITIONS

### 4.1 Olympic Winter Games

The criteria for the right to participate in the Olympic Winter Games are determined by the I.O.C. The qualification rules are determined by the I.O.C. in collaboration with the FIBT. The qualification rules are communicated directly by the I.O.C. to all National Olympic Committees.

### 4.2 Senior World Championships

The Senior World Championships take place annually, with the exception of the Olympic year. Quotas are based on the current FIBT Ranking List.

The quotas for participation in the Senior World Championships are as follows:

<b>Men:</b>	Nations with 3 athletes in the Top 30: 3 starting places
	Nations with 2 athletes in the Top 50: 2 starting places
	Nations with 1 athlete in the Top 60: 1 starting place
	All remaining nations with 1 athlete
<b>Women:</b>	Nations with 3 athletes in the Top 25: 3 starting places
	Nations with 2 athletes in the Top 35: 2 starting places
	Nations with 1 athlete in the Top 45: 1 starting place
	All remaining nations with 1 athlete

The defending Junior World Champion is also entitled to participate.

#### 4.2.1 Requirements for participation in the Senior World Championships.

Participation is allowed only for athletes who have taken part in, and been ranked in, a minimum of 5 FIBT competitions on a minimum of 3 different tracks in the course of the previous 24 months prior to the competition. In addition the athletes must have been ranked in at least 3 of the 5 above mentioned races on a minimum of 2 different tracks during the on-going season.

### 4.3 Junior World Championships

The Junior World Championships take place annually. Only athletes from the Junior category may participate. All National Federations may participate with a maximum of 3 athletes.

#### 4.3.1 Requirements for participation in the Junior World Championships:

**Participation is allowed only for athletes who have taken part in, and been ranked in, a minimum of 3 FIBT competitions on a minimum of 2 different tracks in the course of the previous 24 months.**

Juniors are athletes who have not yet reached the age of 23 years on the date of the Junior race. Furthermore, Juniors are all those athletes who reach the age of 23 years in the period of October 1 to March 31 of the current season.

### 4.4 Continental Championships

The quotas for participation in the Continental Championships are identical to those of the World Cup if the Championships are held within the course of a World Cup competition. Nations of the respective continent that are not qualified to participate in the World Cup have the right to participate with one

athlete. These athletes are ranked only in the Continental Championships and shall receive no World Cup points. They are drawn separately at the end of the field of competitors. These athletes start at the end of the field of competitors corresponding to their place in the FIBT rankings. The starting order for athletes without points is drawn by raffle. In the second race heat, they start according to their ranking after the first heat.

#### 4.5 World Cup and Intercontinental Cup

Quotas for the new season are based on the final results of the previous year's FIBT Ranking List.

##### 4.5.1 World Cup

The quotas for participation are determined as follows:

<b>Men:</b>	Nations with 3 athletes in the Top 30: 3 starting places
	Nations with 2 athletes in the Top 50: 2 starting places
	Nations with 1 athlete in the Top 60: 1 starting place
<b>Women:</b>	Nations with 3 athletes in the Top 25: 3 starting places
	Nations with 2 athletes in the Top 35: 2 starting places
	Nations with 1 athlete in the Top 45: 1 starting place

In the case any National Federation renounces its quota for participation in the World Cup prior to the beginning of the season or during the season, the FIBT Executive Committee can incontestably decide to transfer the vacant quota to the first National Federation which is not qualified, on the basis of the FIBT Ranking List of the previous season, provided that the sports requirements for participation in the World Cup are fulfilled. Renunciation must be declared by written notification and remains valid throughout the remaining part of the season. At the same time, the Executive Committee establishes the date at which the National Federation will enter the World Cup series.

##### 4.5.2 Intercontinental Cup

The quotas for participation are determined as follows:

<b>Men:</b>	Nations with 3 athletes in the Top 60: 3 starting places
	Nations with 2 athletes in the Top 75: 2 starting places
	All remaining Nations with 1 athlete
<b>Women:</b>	Nations with 3 athletes in the Top 45: 3 starting places
	Nations with 2 athletes in the Top 60: 2 starting places
	All remaining Nations with 1 athlete

#### **Requirement for participation in the Senior World Championships, Continental Championships, World Cups and Intercontinental Cups:**

**Participation is allowed only for athletes who have taken part in, and been ranked in, a minimum of 5 FIBT competitions on a minimum of 3 different tracks in the course of the previous 24 months.**

#### 4.6 Europe Cup and North American Cup

Quotas for the new season are based on the final results of the previous year's FIBT Ranking List. The athletes placed among the top 15 of the current FIBT ranking will not be admitted either to the Europe Cup races or to the North American Cup races, unless the respective nation uses its entire WC quota.

#### 4.6.1 Europe Cup

The quotas for participation are determined as follows:

**Men:** 6 nations with 4 athletes  
all remaining nations from Europe and Africa with 3 athletes  
nations from America, Asia and Oceania with 2 athletes

**Women:** 4 nations with 4 athletes  
all remaining nations from Europe and Africa with 3 athletes  
nations from America, Asia and Oceania with 2 athletes

#### 4.6.2 America's Cup

The quotas for participation are determined as follows:

**Men:** 6 nations with 4 athletes  
all remaining nations from America, Asia and Oceania with 3 athletes  
nations from Europe and Africa with 2 athletes

**Women:** 4 nations with 4 athletes  
all remaining nations from America, Asia and Oceania with 3 athletes  
nations from Europe and Africa with 2 athletes

#### 4.7 International Competitions

The Organizer establishes the right to participate in the event announcement.

### 5. EVENT

#### 5.1 General

Only the FIBT, as well as its Members and Associate Members, have the right to organize international competitions.

All official international FIBT competitions shall be organized under the supervision of the FIBT. The FIBT shall award the competition to a Member or Associate Member that is able to undertake the organization of the competition, or is able to pass it on to an association (Club) or an Organizing Committee. The Member or Associate Member remains responsible for the orderly execution of the event.

#### 5.2 Costs

The Organizer to whom the organization of the event has been awarded assumes the entire organization and its costs.

#### 5.3 Track

The Organizer shall make the track available in the best possible condition for the official training and the race. The usage of the track during the official training and the race is free of charge.

#### 5.4 Event Announcements and Invitations

The Organizer of the competition shall be responsible for the event announcements and invitations.

The Organizer must present the official event announcement with the program schedule to the FIBT Executive Committee for approval by August 15.

The Organizer must send the program schedule to the Member Federations and the appointed Jury Members within two weeks of receiving the approval of the FIBT.

**The event announcement must include:**

- the name of the competition
- the location and date of the competition
- a schedule for the official training and the race
- a short description of the track, including a sketch of the track
- the entry deadline
- the address of the Organizing Committee with exact office times, telephone number, fax number and e-mail address
- the name of the Chief of Organization
- the name of the Race Director
- the names of the Jury Members and the Technical Delegate, if any
- information about facilities, benefits and hotel accommodations
- any conditions of entry
- the location and time of the first team captains' meeting

**5.5 Organizing Committee and Race Director**

An Organizing Committee and a Race Management Office shall be formed in order to guarantee the orderly execution of the event.

The Race Director must possess an FIBT International Jury License. He is responsible for ensuring that the entire event is carried out in accordance with the FIBT International Rules. He shall ensure that skilled and responsible people hold all the important positions in order to assure the smooth progression of the event. Furthermore, he is obligated to ensure that the track is in perfect condition and that the safety of the athletes, coaches and spectators is guaranteed.

**5.6 Technical Equipment**

- voice communication among the start, the finish and the timekeepers
- voice communication between the Race Director and the Jury
- numerous loudspeakers
- at least two calibrated instruments for measuring runner temperature
- an electronic timing system
- a room for team captains' meetings
- sufficient changing rooms and sanitary facilities
- a weigh scale, calibrated every year
- sufficient transport vehicles
- a first aid room
- medical service
- a doping control room
- video surveillance on the track
- a room suitable for technical inspections of sleds and runners
- an Internet connection for the Jury
- sufficient computers and photocopiers
- a score board
- optical and acoustic devices to authorize the start
- barricade fences and tape for the parc fermé
- sufficient and suitable racks for positioning the sleds

**5.7 Liability Insurance**

The Organizer is obligated to obtain sufficient public liability insurance.

The Insurance has also to include the FIBT officials where are responsible for the race.

## 5.8 Further Obligations of the Organizer

The obligations of the Organizer of FIBT competitions are specified in writing within the framework of a contract that is negotiated between the FIBT and the Organizer's National Federation.

Race results must be forwarded to the media and the FIBT immediately after the conclusion of the event. Training and race results must be distributed to the team captains as quickly as possible. If possible, the results should also be accessible online.

## 6. JURY AND TECHNICAL DELEGATES

### 6.1 Jury License

The Jury Members and Technical Delegates, appointed by the FIBT Executive Committee, must possess an FIBT International Jury License in order to officiate. Each National Federation has the right to recommend people suitable for obtaining an FIBT International Jury License.

This License can be acquired after taking an examination on the FIBT International Rules for Bobsleigh and Skeleton. In principle, the examinations take place two times per year, on the occasion of the Senior World Championships and of a World Cup competition on a different continent. The respective National Federations must register potential candidates with the FIBT General Secretary in sufficient time, at least one month prior.

### 6.2 License for Material Controls

In order to be allowed to execute their office, the Material Controllers appointed by the Executive Committee must have an International Material Controller License of the FIBT. Each National Federation has the right to propose candidates who are eligible to obtain the International Material Controller License of the FIBT. **The examinations will be held as specified by FIBT announcement.** The respective National Federations must register potential candidates with the FIBT General Secretary in sufficient time, at least one month prior.

### 6.3 Nomination

The FIBT Executive Committee nominates the Juries and the Material Controllers. The National Federations have the right to make recommendations.

#### 6.3.1 Olympic Winter Games

- one or two Technical Delegates
- a Jury President
- two Jury Members
- two Jury Assistants, if required
- two or three Material Controllers

#### 6.3.2 Senior World Championships

- One or two technical delegates
- a Jury President
- two Jury Members
- two Jury Assistants, if required
- two Material Controllers

### 6.3.3 Junior World Championships, Continental Championships, World Cup and Intercontinental Cup

- One or two technical delegates
- a Jury President
- two Jury Members
- Jury Assistants, if required
- two Material Controllers

### 6.3.4 Europe Cup and North American Cup

- a Jury President
- one or two Jury members
- one or two Material Controllers

### 6.3.5 International Competitions

a Jury President or a Technical Delegate who represents the FIBT, with the task of controlling and supervising the event

## 6.4 Authority

### 6.4.1 Jury

The Jury is the highest authority of the competition in question and exercises control with the right to make final judgments within the scope of the FIBT International Rules.

The decision of the Jury is final, incontestable and takes effect immediately.

Furthermore, the Jury is responsible for:

- potential changes of the ice temperature
- any change of sleds
- any change of runners
- any repetition of a heat
- any reduction in the number of training runs
- any interruption or cessation of the race, after consultation with the Race Director and the Chief of Track
- any reduction in the number of participants
- any penalties for rule violations
- the length of the start grooves
- the number of pilot sleds
- the temperature and weight checks
- decisions regarding protests
- any suspension of athletes
- closing the track in case of danger

### 6.4.2 Technical Delegates

With the exception of the Olympic Winter Games and the Senior World Championships, the Jury President is automatically also the Technical Delegate. For the Olympic Winter Games and the Senior World Championships, one Technical Delegate for Bobsleigh and one Technical Delegate for Skeleton are intended. A Technical Delegate may also be appointed for events on new tracks. The power to make decisions regarding the event lies exclusively with the Jury.

### 6.4.3 Attendance

The Jury President must be available from the first team captains' meeting onward. The Jury is responsible for the compliance with the FIBT International Rules from the start of the official training to the end of the awards ceremony. In cases of absence of a Jury Member, the FIBT appoints a substitute.

#### **6.4.4 Expenses**

The FIBT Executive Management Committee determines annually the reimbursement of allowable expenses of the Jury and the Technical Delegate, and informs all concerned by circular letter.

#### **6.4.5 Authority to Inspect**

During the training and the race, the Technical Delegate and each Jury Member shall have access without prior notification to all technical equipment and facilities necessary to hold the competition.

#### **6.4.6 Special Decisions**

The Jury is also responsible for all decisions pertaining to the competition that are not specified in these Rules.

### **7. RACE DIRECTOR**

#### **7.1 Appointment**

The Race Director, appointed by the Organizer, must possess an FIBT International Jury License for all official FIBT competitions.

#### **7.2 Duties**

The Race Director is responsible for ensuring that, under the direction of the Jury, all measures are taken that are necessary for the orderly progression of the competition according to the FIBT International Rules. This includes the progression of the team captains' meetings, the training and the race.

Potential necessary changes taken on short notice must first be arranged with the Jury and the Sport Director.

The Race Director decides upon the use of sunshades during rain, snowfall, or sunshine. He shall inform the Jury President immediately about all decisions.

### **8. GENERAL REGULATIONS**

#### **8.1 Sporting Year**

The sporting year of the FIBT runs from October 1 to September 30 of the following year.

#### **8.2 Liability**

The FIBT assumes no liability for accidents, damages, or other claims that should result from the allocation of the competition or from its proceedings.

#### **8.3 Amateurism Rules**

The rules of the I.O.C. are adopted here.

#### **8.4 Licenses**

All athletes must be electronically registered by their National Federation for an FIBT International License prior to participating in the sport of skeleton.

The minimum age for athletes for obtaining an FIBT International License is 15 years of age. However, athletes who will turn 15 years of age during October 1st and March 31st of the current season are eligible to apply for an FIBT International License as well. Athletes under the age of 18 require the

permission of their parents or legal guardian in order to exercise the sport of skeleton. The parents or legal guardian must sign the letter of permission and the signature must be certified.

The FIBT Electronic License must be filled out in all details and certified by the President or a duly authorized Officer of the National Federation and submitted with a digital photograph. By registering for a license, the National Federation verifies and confirms that the athlete:

- has had a medical check and has met the medical requirements for skeleton;
- is covered by insurance against accidents deriving from the practice of skeleton training or racing;
- is covered by insurance against liability;
- has been issued the FIBT International and Anti-Doping Rules, and;
- has signed a form in which the athlete declares compliance with the FIBT International and Anti-Doping Rules.

The License is valid for one season (October 1 to September 30).

## 8.5 Insurance

The Member Federations of the FIBT are responsible for ensuring that each of their athletes is sufficiently covered by accident and disability insurance, as well as public and third party liability insurance. All risks that may arise from an accident must be completely covered by the insurance.

## 8.6 Entries

Prior to the deadline specified in the event announcement, the Members shall inform the Organizer of the competition online of the athletes to be entered in the competition. The Members are obligated to inform the FIBT General Secretary of the names of those people who are authorized to submit entries.

The name of the team captain shall be given to the Jury at the first team captains' meeting.

The Members have the right to select the athletes that shall participate.

The entry fees belong to the Organizer and amount to the value of €25 per athlete.

If the entry deadline specified in the event announcement is not observed, the entry can be accepted for double the entry fee.

Entries may be withdrawn at any time. Entry fees already paid are not refunded.

**Entry fees must be paid at the first team captains' meeting.**

## 8.7 Acceptance of the International Rules

With the submission of the entry, the participants (athletes, team captains, coaches and support staff) accept these Rules as binding.

## 8.8 Track Records and Start Records

Track records and start records will only be recognized by the FIBT if they have been performed during official international FIBT races. **The record may be recognized if the team has been subjected to a weight test and their sled to a technical inspection during the competition. If the record is equaled in a subsequent race heat, it does not count as a record. In the event of a draw in the same race heat, more than one team may be listed as the record holders.** The record cannot be recognized until it has been established that there have been no violations of the FIBT International Rules.

## 8.9 Doping Controls

Doping is prohibited.

The FIBT Executive Committee can arrange for doping controls at all FIBT competitions and at any time outside of the competitions.

The doping controls are carried out according to the FIBT Anti-Doping Regulations.

The FIBT Executive Committee can authorize international specialized facilities to carry out these controls.

By signing the FIBT International License, the athlete is obligated to accept the FIBT Anti-Doping Regulations and to submit to the controls determined by the FIBT Executive Committee.

By signing the Acknowledgement and Agreement, the athletes, team captains, technicians, coaches and support staff recognize the new FIBT Anti-Doping Regulations.

## 8.10 Rule Violations

The Jury is responsible for the compliance with the FIBT International Rules from the first team captains' meeting to the end of the awards ceremony.

The Jury determines the penalties for violations against the provisions of the FIBT International Rules according to the gravity of the offence:

- a warning
- a fine
- disqualification from the competition
- application for disqualification from other competitions to the Executive Committee
- application to the Executive Committee for withdrawal of the international License

The athlete concerned or his National Federation has the right to defend himself before a final decision is made regarding the cancellation of the FIBT International License.

The fine is collected by the Jury, which forwards it to the FIBT

### 8.10.1 Athlete Support Person Rule Violations

An Athlete Support Person (Coach, sled or runner builder, physio or any other person) may be deemed to have broken or contributed to the breaking of FIBT Rules. In this case the Jury determines the penalties for violations against the provisions of the FIBT International Rules according to the gravity of the offence:

- a warning
- a fine
- disqualification from the competition / venue
- application for disqualification from future FIBT competitions to the Executive Committee

### 8.10.2 Prohibited Association

Prohibited Association: In the event that an Athlete Support Person is disqualified from an FIBT event or events (8.10.1) it is prohibited for an athlete ( athletes, team or nation) to associate with this person for the duration of their disqualification. If after receiving a written warning the athlete (athletes, team or nation) continues to associate with the disqualified person the athlete (athletes, team or nation) may be given a

- a fine
- disqualification from the competition
- disqualification from future competitions

In order for this provision to apply, it is necessary that the athlete (athletes, team or nation) has been advised in writing by the FIBT of the Athlete Support Person's disqualifying status and the potential consequence of prohibited association and that the athlete can reasonably avoid the association.

### 8.10.3 Burden of Proof

The burden shall be on the athlete (athletes, team or nation) to establish that any association with the Athlete Support Personnel described in Article 8.10.1 or 8.10.2 is not in a professional or sport- related capacity.

### 8.11 Sponsorship and Advertising

The FIBT and its Member Federations can negotiate contracts with commercial firms or organizations.

### 8.12 Trademarks on Equipment

#### 8.12.1 FIBT Properties

The FIBT property areas for advertising with sponsors or similar entities are governed by the FIBT Advertising Guidelines. The specifications established therein shall be followed. Violations result in penalties.

#### 8.12.2 Freely Available Advertising Areas

With the exception of the areas entitled to the FIBT in accordance with the FIBT Advertising Guidelines, unlimited advertising may be placed on the sled, the equipment and the athlete.

## 9. MEDICAL SERVICE AT THE TRACK

### 9.1 Race Doctor

The following must be available at the track during the official training runs and the race heats with the exception of World Cup race days and World Championship race days:

- One medical specialist with knowledge of emergency medical aid
- One ambulance equipped with appropriate resuscitation equipment at all times
- One room exclusively used for first aid treatment – which is marked as such.

World Cup race day and World Championship Race day:

- One medical specialist with knowledge of emergency medical aid
- two ambulance equipped with appropriate resuscitation equipment at all times – in case one ambulance leaves the track a second one has to be called immediately; if two ambulances leave the track the race must be stopped.
- One room exclusively used for first aid treatment – which is marked as such.

Should the race doctor and/or ambulance be medically required, the race or official training must be interrupted until their services are again guaranteed.

The Organizer shall be attentive to this regulation, as the Organizer is responsible for compliance with these requirements.

The FIBT Medical Committee decides on any possible exceptions to the above. The Jury President must be informed of these exceptions prior to the start of the official training.

Tasks of the Race Doctor:

- He is responsible for the first medical aid for injuries and illnesses of the athlete
- He directs the transport of injured or ill athletes for further medical treatment

- After every crash, the athlete must present himself to the Race Doctor for an examination in order to obtain the authorization to participate further in training or in the race.
- If the Race Doctor suspects a concussion, he is entitled to prohibit the athlete concerned from further participation. In these cases, the Race Doctor must immediately inform the Jury President of the athlete's inability to continue to participate in the competition, and the athlete is accordingly officially removed from the competition.
- The Race Doctor must inform the Jury President immediately who will inform the FIBT office to temporarily unlicense the concerned athlete.
- The Race Doctor must complete an Injury Registration Document after every examination of an injured athlete.
- At the end of the competition, all of these documents (including timesheets) must immediately be forwarded to the FIBT office and Chairman of the FIBT Medical Committee.

## 9.2 Team Doctor

Race doctor and team doctors should cooperate on evaluation and treatment.

## 9.3 Evacuation of injured athletes

The event organizers must guarantee that injured athletes can be transported away from any point of the entire length of the track.

# 10. THE COMPETITION

## 10.1 Official Training

Participation in the official training is only permitted for teams registered for the competition. During a competition (the official training and the race), athletes are not permitted to make runs on the track outside of the official program schedule, nor are they permitted to conduct trainings or races on other tracks at the same time.

### 10.1.1 Olympic Winter Games and Senior World Championships

Directly prior to the race, 6 official training runs shall be offered.

### 10.1.2 Continental Championships, World Cup and Intercontinental Cup

Directly prior to the race, 3 days of official training with a minimum total of 6 official training runs shall be offered.

### 10.1.3 Junior World Championships, Europe Cup and North American Cup

Directly prior to the race, 3 days of official training with a minimum total of 6 official training runs shall be offered.

### 10.1.4 International Competitions

The Organizer determines the number of official training runs. A minimum of 3 official training runs must be offered.

The FIBT Executive Committee can modify the number of official training days and / or training runs in official FIBT competitions. However, the change in the number of official training days and / or training runs must be declared in the event announcement.

At all official FIBT competitions, each athlete must complete two training runs without accident to be allowed to participate in the race.

## 10.2 Starting Order During Training

The starting order of the participating nations shall be drawn at the first team captains' meeting. If possible, the training is run according to "nation groups".

Trainings Cooperation's shall not exceed 10 athletes.

The following starting order applies for events in which the official training takes place for 2 or 3 days:

- 1st day: from nation 1 to the end
- 2nd day: from the end to nation 1
- 3rd day: start order according to the FIBT Ranking List (men and women train separately)

## 10.3 Track Conditions During Training

If possible, the final day of official training should take place at the same time as the race and the track preparation should correspond to the conditions of the race. No alterations to the track profile should be made after the final training session.

## 10.4 Start Grooves

The start grooves are determined by the Jury on the first day of training and can only be modified upon their command. Both grooves shall be prepared appropriately for skeleton runners (17 mm diameter).

## 10.5 Replacement of Athletes

It is possible to replace an athlete with another athlete from the same National Federation at any time during training. However, an athlete may only be replaced if the replacement athlete is still able to achieve the minimum number of accident-free training runs without a change in the program schedule. An athlete who carries out runs beyond the official training (for example, as a forerunner or in the "guests" class) cannot take part in the competition later on. The Jury can make an exception to allow such athlete's participation in the Team Competition; however, this exception must be declared during the first team captains' meeting.

### Double Races:

National Federations may allow new athletes to compete in the second race of World Cup and Intercontinental Cup. The Federations will, however, be allocated only the number of training runs corresponding to their quotas. The Federations themselves must allocate these among their athletes.

National Federations may register a maximum of two new athletes for the second race at an ICC competition and a maximum of one new athlete for the second race at a NAC and EC competition. Those athletes will be allocated with the same number of training runs than the other athletes.

The replacement athlete must hold a valid FIBT International License.

## 10.6 The Race

### 10.6.1 Race Heats

An FIBT race can be held over 4, 3 or 2 heats.

#### a) 4-Heat Races

In principle, the Olympic Winter Games and the Senior World Championships are held over 4 race heats. A reduction in the number of heats is possible in cases of force majeure. A minimum of two runs shall be required to award the title.

#### b) 3-Heat Races

The World Cup races may be held over 3 heats. All athletes entered in the draw must conduct at least one race heat for the race to be officially valid.

#### c) 2-Heat Races

The Continental Championships, the Junior World Championships and all other official FIBT races are held over 2 heats. All athletes entered in the draw must conduct at least one race heat for the race to be officially valid.

### 10.6.2 Starting Order

#### Starting order for 2-heat races:

- 1st race heat: from 1 to the end
- 2nd race heat: from 20 to 1, according to the ranking of the first race heat

#### Starting order for 3-heat races

- 1st race heat: from 1 to the end
- 2nd race heat: from 20 to 1, according to the ranking of the first race heat
- 3rd race heat: from 10 to 1, according to the ranking of the second race heat

#### Starting order for 4-heat races:

- 1st race heat: from 1 to the end
- 2nd race heat: from 20 to 1 and from 21 to the end, according to the ranking of the first race heat
- 3rd race heat: from 1 to the end, according to the ranking after two race heats
- 4th race heat: from 20 to 1, according to the ranking after three race heats

### 10.6.3 Starting Order System

**To hold a race, a minimum of 6 athletes from a minimum of 3 nations must participate.**

- Olympic Winter Games, Senior World Championships and Junior World Championships  
The athletes choose their starting Nr. according to their current ranking in the FIBT Ranking List.

***The leader in the FIBT Discipline Ranking List has the right to choose his/her starting number first. The second-ranked athlete can choose second, and so forth.***

At the end of the distribution procedure – in the case of an external distribution of the starting numbers - the Jury will assign a starting number among those left to those athletes who were absent during the official distribution of the starting numbers

In the case of an internal distribution (Team Captains meeting) of the starting numbers the starting number may also be chosen by the team captain.

- Continental Championships, World Cup, Intercontinental Cup, Europe Cup and North-America Cup

The season starts on the basis of the FIBT Ranking List from the previous season. The 10 best-placed athletes in the current FIBT Ranking List who are present are drawn. All other athletes start according to the ranking in the current FIBT Ranking List.

Athletes without points are drawn at the end of the field.

The Jury holds the draw in public. An electronic draw by computer is possible. The athletes keep their start numbers for the duration of the competition.

### 10.6.4 Start Number

The FIBT claims the rights for the start numbers (sled and shirt) for its sponsors.

The start number shirts shall be worn during the race heats and the awards ceremony. They may be sewn along the sides, but otherwise they may not be aerodynamically modified, nor may they be attached by additional means.

The FIBT supplies the athletes with the start numbers.

The start number for the sled (not exceeding 18 cm x 12 cm) shall be attached to the rear third of the underside of the sled.

The start number may not be modified in any way.

#### **10.6.5 Athletes and Manner of Driving**

All race heats must be run by the same athlete.

The Race Doctor and the Jury are authorized to prohibit athletes in inadequate mental or physical condition from competing.

Only driving from the headfirst prone position (lying on the stomach) is allowed. After the start (when timing commences at the 50 m point) during the race heat, the athlete is not allowed to lose contact with the sled.

The athlete must cross the finish line on his sled.

The finish line beam must be broken by the athlete's helmet.

#### **10.6.6 Track Conditions during the Race**

The track is prepared after agreement among the Jury, the Race Director and the Chief of Track.

In case of snowfall, it shall be made certain that a regularly scheduled race is possible. Particular attention shall be paid to the ice surface at the start up to the start time measurement (50 m), which shall be swept after every sled. The track should be swept at regular intervals.

#### **10.6.7 Track Walks**

The times for the track walks are determined after agreement between the Race Director and the Jury, and are disclosed at the first team captains' meeting. Track walks are not allowed outside of these times. Entering the track during a run is absolutely prohibited.

There are no track walks on race days.

#### **10.6.8 Start**

The Jury defines a zone behind the start block that allows the athlete the necessary quiet for his preparations for the start. This zone may only be entered by the athlete, one coach and the Jury.

The start block may be stepped upon during the start procedure, but the rear edge may not be crossed.

The start line (the first timing point) must be clearly visible.

The athlete shall be present after the call to the start.

The starter clears the track by means of acoustic and optical signals. The athlete at the start must activate the timing device within 30 seconds.

The athletes can accelerate the sled by pushing it.

After the athlete has left the startblock the help of external people during the start procedure while training and race is prohibited.

#### **10.6.9 Reduction**

If the number of registered athletes exceeds the capacity of the track, the Jury, in agreement with the Race Director, can reduce the number of participants.

All registered athletes must be allowed to compete in the first heat.

The number of athletes can be reduced before each subsequent race heat.

The starting order does not change in such a case.

#### **10.6.10 Interruption or Cessation**

The Jury, in consultation with the Race Director and the Chief of Track, can interrupt or stop the race for the following reasons, among others:

- damage to the track
- weather conditions
- failure of the timing system or other technical equipment

After an interruption, the athlete at the start shall be granted a suitable amount of preparation time.

#### **10.6.11 Repetition of a Heat**

After a malfunction not caused by the athlete, the heat may be repeated with the authorization of the Jury.

The run may be repeated as soon as the athlete is ready to start.

#### **10.6.12 Replacement Races**

If a race is cancelled, the FIBT Executive Committee can decide to hold a replacement race at a later date on the same or a different track.

The following athletes may participate in the replacement race:

- all athletes eligible to participate, if the race concerned was cancelled prior to issuing the start numbers, or
- only those athletes who have received a start number for the cancelled race. Another drawing of the start numbers is carried out.

#### **10.6.13 Pilot Sleds**

The Jury determines the number of pilot sleds. The Organizer is obligated to provide a minimum of three pilot sleds. Before skeleton races, only skeleton sleds should be used.

If the Jury decides there are an insufficient number of pilot sleds available, the Jury can appoint athletes that are last in the starting order. These athletes start immediately after the pilot sleds, and their pilot run is also scored as a race heat.

The race organizer is fully responsible for the selection of the pilot sled.

#### **10.6.14 Time Measurement**

The run time can be measured electrically or electronically. Two independently functioning timing systems must be in use. The times must be measured to 1/100th of a second.

Times equal to 1/100th of a second are given the same rank.

There must be five interval times shown.

The first interval time corresponds to the start time (50 m).

The next four interval times must be evenly distributed among the remainder of the track.

The Organizer shall print out all **official** times recorded during the training and the race and shall hand them out to the participating nations.

If two or more athletes achieve the same time in the first, second or third heats, the starting order for these athletes in the second, third and fourth heats respectively shall be determined according to the start number. In such a case, the athlete with the highest start number is the first to start.

If the number of participants is reduced prior to the final race heat, the eliminated athletes remain in the results with their final ranking. If in the final heat an athlete crashes, does not start or is disqualified, he does not receive a final ranking. The remaining athletes move up in the ranking list. **The time measurements shall be handed over to the TD/Coordinator at the end of the competition.**

### **10.7 Parc Fermé**

A parc fermé is utilized at every race.

The parc fermé is bordered by barricade fences and / or tape.

### **10.8 Material and Equipment**

#### **10.8.1 Sled**

In principle, all race heats must be contested with the same sled. If the sled has been damaged beyond immediate repair, a replacement sled may be allowed with the authorization of the Jury. All sleds must be approved by the Material Inspectors / Jury before the first competition, and must carry an

FIBT label. Replacement sleds used at the discretion of the Jury must be approved by the Materials Inspectors/Jury immediately after the race heat for which it has been used.

### 10.8.2 Runners (General)

In all official FIBT races listed on the FIBT-Calendar (OWG, World Championships, Junior World Championships, Continental Championships, WC, ICC, EC, AC, IR) only FIBT standard runners (standard material) are admitted. The authenticity of the runner steel may be controlled by the FIBT Jury and/or FIBT Materials Inspectors at any time. To establish the authenticity of the runner steel, inspections may include the analysis of the composition of the runner material and examination of the hardness of the runner steel.

Only geometrical changes to standard FIBT runners through the removal of the original material are allowed. No materials (exceptions runner block and runner post) may be added in any way.

The use of any means of propulsion is prohibited.

Changing runners between race heats held during the same day is only permitted after damage and with the authorization of the Jury.

At the Jury's discretion, runners can be subjected at any moment to inspection with special equipment. In case of inconclusive findings, runners may be seized and sent to a specialized laboratory for further testing.

On the occasion of:

- Olympic Winter Games
- Senior World Championships

Complete inspections can be conducted prior to the competition.

### 10.9 Technical Inspections

The sleds participating in the race must be in the "Parc Fermé" (start area), positioned in the spaces assigned to them. All preparatory work performed on the sleds, including mounting the runners, must be completed **45 minutes** before the start of the race.

The sleds must be uncovered.

The sleds must be brought into the parc fermé with clean runners.

After this time point, no work may be performed on either the sleds or the runners. Changing runners and replacing sled parts is also prohibited. Only a person who must bring a sled to the start may enter the parc fermé.

The Parc Fermé is opened for 10 minutes between the race heats. It is prohibited to bring tool boxes or anything similar into the "Parc Fermé". It is also prohibited to wear gloves or to otherwise cover the hands.

During this time it is allowed to sand scratches (only) after inspection by the Jury.

The runners can only be polished using abrasives provided by the FIBT

The runners must remain mounted on the sled, and the sleds must not be moved away from their assigned space to adjust the runners. The use of any other materials and / or products is prohibited. Violation of this rule is penalized with immediate disqualification from the race.

The Jury can at any time confiscate the abrasives provided by the FIBT, regardless of whether they have been used or not.

Only the Jury, in agreement with the FIBT Materials Committee, can give authorization for repair work to be performed on sleds with technical problems.

Between the individual race heats, no further work may be performed without the authorization of the Jury.

If a set of runners is so damaged during a race that immediate repair is not possible, the athlete has the possibility to use a new set of runners, after receiving the authorization of the Jury. The new set of runners is subject to the provisions of the FIBT International Rules.

All sleds and runners participating in the race can be subjected to technical inspections. The Jury decides which sleds and runners are to be inspected and when the inspection is to take place. Inspections of the other equipment can also be conducted. The Jury can assign the members of the FIBT Materials Committee to carry out these inspections.

In cases of suspicion, components of the sled can be confiscated and subjected to technical inspections. The inspections can be conducted at a mobile laboratory on the competition site. In this case, the Jury evaluates the laboratory results immediately and takes the appropriate action.

If the technical inspections are conducted following the race at a laboratory not on the competition site, the inspection results are forwarded to the FIBT Executive Committee. The laboratory in question must be approved by the FIBT. The procedures used must be in accordance with the Appendix attached to these Rules.

In case the results show proof of a violation against the FIBT International Rules, the FIBT Executive Committee takes the appropriate action. In this case, the National Federation concerned shall bear the costs of the inspection and appraisal. The decisions of the Executive Committee are incontestable.

If it is determined that the FIBT International Rules have been violated, then it automatically results in disqualification from the competition concerned.

#### **10.10 Runner Diameter**

The Jury or the FIBT Materials Committee checks the diameter of the runners with official FIBT gauges. The diameter of the runners may not be less than that of the gauge.

#### **10.11 Measurement of Runner Temperatures**

The runner temperatures are checked before the start according to the instructions of the Jury. Both runners are checked with an electronic measuring device equipped with a temperature measuring sensor and a display device for temperatures between at least +30° C and -20° C.

The Organizer must provide two electronic measuring devices, one for the Jury and one for the athletes participating in the race.

The temperature of the runners is measured on the side of the runner in the region of the runner post. The measuring sensor shall remain in contact with the runner until the display on the temperature measuring device is stable.

The temperature of the runners that are mounted on the sled being used in the race may exceed the temperature of the reference runner by a maximum of 4° C. If the temperature of the reference runner is less than -14° C, the runners on the sled may have a maximum temperature of -10° C. If an athlete's runner temperature exceeds the limit, another measurement of the temperature of the reference runner and of the runner on the sled shall be made immediately following the first measurement. If the second measurement also shows a temperature that exceeds the limit, it leads to immediate disqualification. This is then entered into the Temperature Measurement Protocol.

The temperature that appears on the display board at this moment is not updated. Updating takes place every 15 minutes (art.10.8.)

The sled must be moved from its assigned place in the start area to the runner temperature measurement station by carrying it (with runners away from the athlete's body). Cooling down the runners by touching them with snow or ice is not allowed.

## 10.12 Reference Runner

The temperature of the reference runner is measured according to the following procedure.

- a) The reference runner must be hung or otherwise positioned in the open air one hour before the start of the race, in the same climactic weather conditions as the sleds included in the race. When the reference runner is positioned in the open air, it must show a temperature of between +18° C and +22° C.
- b) The exact temperature of the reference runner at the time it was positioned in the open air must be written on a clearly visible board in the start area. The board must also show the air and ice temperatures.
- c) The temperature of the reference runner is measured on the side of the runner in the region of the runner post.
- d) The temperatures shown on the temperature display board are updated as follows:
  - the first time, 60 minutes before the start of the race
  - 10 minutes before the start of the race and before the start of the second heat
  - afterwards, every 15 minutes
  - In the case of extraordinary climactic conditions (high temperatures), after measuring the runner temperatures the Jury can instruct the athletes to place their sleds on the snow or ice immediately before the start.

## 10.13 Runner Cleaning

The runners are **treated and** cleaned before the start of the race heats with special cleaning solutions provided by the FIBT

In every race in which the FIBT standard material is required, all runners are sanded with sandpaper in the same manner. It must be obvious that a characteristic amount of material has been removed. If this is not the case, the procedure is repeated until sufficient material has been removed; upon request of the Jury, sandpaper with a coarser grain size may be used. The sandpaper grade is determined by the FIBT before the start of the season.

The Jury can call for a different grain on certain tracks.

## 10.14 Weight

The weight is checked using a scale.

Weights can be checked at any time upon decision of the Jury.

The sled and the athlete shall be weighed immediately after the conclusion of the race heat, upon request of the Jury. No modifications to the sled or the other equipment may be made. The first weight test is then made. Each athlete may request a second weight test, if necessary. For the second test, they have a maximum of 5 minutes to remove snow and ice from the sled. This occurs under the supervision of the Jury. Help from a third party is not allowed.

The observed weight must be registered in the Weight Protocol.

The combined weight of the sled and the athlete with complete race equipment may not exceed 115 Kg (women: 92 Kg).

The weight of the sled alone may not exceed 43 Kg (women: 35 Kg).

If the combined weight of the sled and the athlete with his equipment exceeds 115 Kg (women: 92 Kg), the weight of the sled along may not exceed 33 Kg (women: 29 Kg).

The maximum allowable weight can be reached by attaching ballast weights. The ballast weights must be affixed securely to the frame, base plate or the saddle

Ballast weights on the athlete's body are prohibited.

## **10.15 Electronic Measuring Devices and Equipment**

In the time during which the track is subject to the control of the FIBT (official training and races), electronic or electrical measuring devices or equipment legalized by the FIBT may be used on the sled, on the athletes or on the track.

TV cameras belonging to the official producer are not subject to this article.

In cases of exception, the FIBT or the Jury concerned can allow specific measurements. In these cases, all the participants must be made aware of the results of the measurements.

## **10.16 Other Equipment**

### **10.16.1 Helmet**

Wearing of a safety helmet is mandatory for all competitions, during both training and races.

Only helmets whose shell and padding cover the head and at least the ear region are allowed.

Each athlete who takes part in an FIBT Competition must wear a safety helmet approved by his / her National Federation.

Helmets with spoilers or protruding edges are not allowed.

The bottom edge of the helmet shell must maintain the shape of the helmets normally available on the market. Chin guards and clasps are not allowed to be positioned excessively low.

The chin guard, the visor and the hardware for attaching them are the only protruding elements allowed. These elements cannot, however, have aerodynamic coverings.

For safety reasons, all helmets must have a smooth surface.

A safety helmet

- has to be without any additionally attached aerodynamic elements or adhesive tape (except that used to fix the visor or the goggle strap), and
- the helmet shell must not have any concave shape except for the recesses for the visor, and
- the padding may protrude a maximum of 3 cm below the shell.

### **10.16.2 Shoes**

The use of spikes on the shoes of the athletes is allowed for pushing the sled, as long as the spikes are arranged in brush form.

The maximum diameter of the spikes may not be greater than 1.5 mm, the spikes may not be longer than 5 mm and the minimum amount of spikes per shoe must not be less than 250.

Shoe coverings are prohibited.

### **10.16.3 Clothing**

Training and race suits with short pants and short sleeves are not allowed.

No aerodynamic elements whatsoever may be attached either outside or under the race suit. If the Race suit has a hood attached, this must be worn completely or removed completely from the suit. The hood of the suit is not permitted to be tucked in, rolled, sewed into place or otherwise used in a fashion other than its intended purpose; to cover the athlete's head.

Race suits must be manufactured from an uncoated textile.

## **10.17 Awards**

### **10.17.1 FIBT Championships**

At official FIBT Championships, the FIBT awards gold, silver and bronze medals to the first, second and third placed athletes. The fourth, fifth and sixth placed athletes receive commemorative medals. The Organizer awards additional honorary prizes to the athletes.

### **10.17.2 Official FIBT Competitions**

The Organizer awards honorary prizes to the first through sixth placed athletes.

## 10.18 Awards Ceremony

The awards ceremony should take place as soon as possible after the deadline for submitting protests. The doping controls and technical inspections may also take place after the awards ceremony. At all FIBT Championships and official FIBT competitions, the national flags of the first three placed athletes must be hoisted. The national anthem of the winning athlete must also be played.

## 10.19 Protests

Protests must be made verbally to the Jury immediately or at the utmost 5 minutes after the heat in which that incident happened. Additionally, the grounds for the protest must be submitted in writing to the Jury no more than 20 minutes after the conclusion of the race.

If no verbal declaration of protest is made, no written protest may be subsequently submitted.

Only the team captain may submit verbal and written protests. Collective protests are not allowed.

No protests are accepted after the submission deadline passes.

A fee in the value of €100 shall be paid with the submission of the written protest. If the protest is rejected, the fee is forfeited in favor of the FIBT. Otherwise, the protest fee is returned.

The decision regarding a protest submitted during a race shall be made in a timely manner to allow the athlete affected by the protest to potentially continue to participate in the race.

In cases of protests submitted after the conclusion of the race, the Jury will announce its decision no more than one hour after the submission of the protest, if possible.

The decision of the Jury is determined by a simple majority of votes. If the votes are equal, the Jury President casts the deciding vote. Jury Assistants do not have the right to vote.

The decision of the Jury is final, incontestable and takes effect immediately.

## 11. RANKING LISTS

### 11.1 Ranking List of the Race Series

For the World Cup, Intercontinental Cup, North-America Cup and Europa Cup races, there are overall ranking lists issued at the end of the season and the first, second and third placed athletes of each series receive awards.

### 11.2 FIBT Ranking List

During the current season, the best results of each athlete are totaled by name for the FIBT Ranking List, regardless of the race series, or World Championships, in which the results were scored. It is consulted as an adjusted ranking list to determine the various quotas. The juniors are highlighted.

The number of races scored is equal to the number of World Cup races carried out up to that specific date during the current season.

The FIBT Ranking List for ICC, NAC and EC is updated weekly, at the latest on Tuesday of each week. With regards to the World Cup, the FIBT Ranking List is updated after each race.

The FIBT Ranking List serves to determine the Starting Order for the World Cup, Intercontinental Cup, North American Cup and Europe Cup races of the current season as well as for the first competition for each Series of the following competition season. If the ICC, NAC and or EC start before the WC the current ranking list of the corresponding series will be used to determine the starting order (updated once weekly from the second week on, at the latest on Tuesday of each week).

The FIBT Ranking List serves to determine the Nation Quotas and the Starting Order for the Olympic Winter Games and the World Championships.

The FIBT Ranking List serves to determine the Nation Quotas for the World Cup, Intercontinental Cup, North American Cup and Europe Cup races of the following season.

The top-ranked athletes of a nation determine the nation quotas for the World Cup competitions, the next-ranked athletes determine the quotas for the Intercontinental Cup competitions and subsequently the quotas for the North American Cup and Europe Cup competitions.

For the Senior World Championships the World Cup Points Table is applied, for the Junior World Championships the new ICC Points Table according to Appendix 1 is applied.

If an athlete sits out for a season, he is scored with 50% of his points achieved on the FIBT Ranking List for the first race of the following season.

In cases of equal points, the following decision criteria apply for all Ranking Lists:

- a) first, the highest single point score;
- b) next, **in the event of a draw**, the better scores at the race immediately previous. World Cup points are of higher priority than points obtained in the other race series.

## **12. FINAL CLAUSES**

### **12.1 Coming into Force**

This edition comes into force on October 1<sup>st</sup>, 2014.

### **12.2 Modifications**

The FIBT Executive Committee determines modifications to the FIBT International Rules.

### **12.3 Interpretation**

If an article in these Rules should be ambiguously defined so that multiple interpretations are possible, the interpretation should be used that matches the underlying meaning for which the article was written.

### 13. APPENDIX 1: FIBT RANKING LIST

WC and WCh.		ICC and JWCh.		NAC/EC		NAC/EC	
Rank	Points	Rank	Points	Rank	Points	Rank	Points
1	225	1	120	1	75	1	50
2	210	2	110	2	65	2	38
3	200	3	102	3	55	3	28
4	192	4	96	4	50	4	20
5	184	5	92	5	45	5	13
6	176	6	88	6	40	6	8
7	168	7	84	7	38	7	5
8	160	8	80	8	36		
9	152	9	76	9	34		
10	144	10	72	10	32		
11	136	11	68	11	30		
12	128	12	64	12	28		
13	120	13	60	13	26		
14	112	14	56	14	24		
15	104	15	52	15	22		
16	96	16	48	16	20		
17	88	17	44	17	18		
18	80	18	40	18	16		
19	74	19	37	19	14		
20	68	20	34	20	12		
21	62	21	31	21	10		
22	56	22	28	22	9		
23	50	23	25	23	8		
24	45	24	22	24	7		
25	40	25	20	25	6		
26	36	26	18	26	5		
27	32	27	16	27	4		
28	28	28	14	28	3		
29	24	29	12	29	2		
30	20	30	10	30	1		

## 14. APPENDIX 2: SKELETON SLEDS WITH DRAWINGS

### 14.1 Basic Principles

- Skeletons are sleds with two runners that are used in races that are carried out on iced tracks.
- To propel the sled, only the pushing force of the athlete, when starting, and the force of gravity are allowed.
- All devices that help the sled's descent, particularly those capable of being used to steer or brake the sled in an active manner and with moving parts, are prohibited.
- No hydraulic, pneumatic or electrical devices of any kind are allowed on the sled.
- Sled manufacturers are responsible for ensuring that the sled is constructed in such a way that it can withstand the strain of repeated runs on bob tracks without damage.  
Also, the sled must be constructed in such a way that the runners may be adjusted without removing the sled from the assigned space (standing) during the races.
- In official competitions, after completion of the work in the parc fermé, the sled's specifications may no longer be modified in any way, other than through accidental damage.
- The Jury and / or the FIBT Materials Committee must be able to check the specifications of all construction elements without significant technical effort.

### 14.2 Construction

- In general, the skeleton sled is composed of the following construction elements:
  - construction frame with runner supports and runner post guides
  - saddle (supporting pan) with handles
  - base plate
  - ballast
  - runners with runner blocks and runner posts
  - bumpers
  - sled coverings (supporting surface: padding, tape, etc.)
- The dimensions indicated in the drawings, diagrams and figures are compulsory.
- The weight of the sled is specified in the FIBT International Skeleton Rules.
- Protruding items that could cause injury are prohibited.
- Fairings, spoilers and aerodynamic elements are prohibited. The sled body is not considered to be a fairing.
- For the purpose of the FIBT, the term "steel" means an alloy of iron and carbon with an iron (Fe) content of more than 50%, or an alloy that reacts positively to the FIBT chemical test.
- This does not apply to certain specifically described sled components.
- No sprung, rubber, rubber-like or energy absorbing materials or elements may be used in the sled components or in the mechanical joints between them. Exceptions:
  - mounting locations of the sled body on to the construction frame (Figure 8)
  - openings of the sled body
  - coverings on the supporting surface and the saddle
  - filling up hollow spaces under the supporting surface (Figure 6)
  - between the construction frame and the base plate

### 14.3 Dimensions (Figures 1, 2 & 3)

- Sled length: 800 – 1200 mm
- Overall sled height: 80 – 200 mm (as prepared for the race)

- Runner gauge: 340 – 380 mm from runner center to runner center

#### 14.4 Construction Frame (Figures 1 & 2)

- The construction frame consists of longitudinal and transverse bars and runner supports, which must be made of steel. Each of the two longitudinal bars must be constructed of a continuous piece of steel, with a minimum rectangular cross section of 30 mm wide x 5 mm high. (Figure 4) Each of the two transverse bars must be constructed of a continuous piece of steel, with a minimum rectangular cross section of 25 mm wide x 3 mm high. (Figure 4)
- Any additional elements on the construction frame must be bolted or welded.
- The runner supports must be rigidly attached to the construction frame. The runner supports are defined as the parts with slots and do not include any elements that have been welded on. (Figure 7)
- The corner connecting joints must attach the frame's bars firmly and rigidly to each other or to the runner supports. These joints may be welded or bolted with a minimum of 2 bolts per joint. There may be a vertical separation between the transverse bar and the longitudinal bar of not more than 2 mm. (Figure 7)
- The front transverse bar must be attached in the region of the runner support. The maximum permitted distance between the front end of the runner support and the transverse bar is 80 mm. The rear transverse bar must be attached in the region of the runner support. The maximum permitted distance between the rear end of the runner support and the transverse bar is 30 mm.
- The runner post guide may have maximum dimensions of 25 mm wide x 45 mm long. It must be rigidly attached to the construction frame.

#### 14.5 Saddle with Handles (Figures 1, 2 & 3)

The saddle with handles must be made of **solid** steel. It must be mounted on the construction frame. It may be divided into a maximum of two pieces. No additional handles, howsoever they are constructed, are permitted on the saddle **and on the handles**. Secure handles must be firmly attached to the saddle at both ends. The minimum distance prescribed between the handles above the supporting surface is 100 mm (Figure 1). The handles must be covered at all points where they are above the supporting surface. No additional handles, however constructed, are

- permitted. **(No welded parts)** The athlete's arms must be outside the saddle during each run. Each side of the saddle may have a maximum of two openings each with a maximum length of 120 mm. The maximum distance allowed from **the saddle** to the end of the handle is 150 mm. **(Figure 2)**
- The saddle may not move laterally. If the saddle is constructed of two pieces, then they may not influence one another in movement. (Figures 1 & 3)
- The lowest point, front and back, of the saddle (in the longitudinal axis) may not be higher than the supporting surface.

#### 14.6 Base Plate

- The base plate must be constructed in one single piece. The base plate must be convex throughout (maximum allowable concavity over 300 mm is 3 mm). Exception:
  - within an area of 80 mm from the front edge (Figures 1 & 3)
- Multiple local protrusions or depressions are not allowed.
- The construction frame and the sled body must be two separate pieces. Laminating the construction frame in to the sled body is not allowed. Exception:
  - 4 lamination strips with a maximum width of 50 mm (Figure 8)

- The base plate may be mounted to the construction frame by welding, gluing, bolting or riveting.
- The upper edge of the sled body may not be higher than the supporting surface.

#### 14.7 Weights

- Ballast weights may be attached to the sled to reach the maximum permitted weight limit.
- Ballast weights must be affixed securely to the frame, base plate or saddle.

#### 14.8 Runners (Figure 5)

- The runner blocks and runner posts must be welded to the runner.
- The runners must be mounted directly to the runner supports.
- Every runner must be constructed from one solid piece of the standard material according to FIBT specifications. The material specifications, selected by the FIBT, will guarantee that all pre-machined pieces of steel are the same. The standard material is produced and distributed by a factory designated by the FIBT
- The material is supplied as polished round bars with a diameter of 16 mm (h9 tolerance class) and a length of 1000 mm,  $-0/+50$  mm. The material is always supplied with markings. These markings must always be present on the runners and must not be altered in any way.
- All types of treatment are forbidden, including those which cause even only a local variation of the physical characteristics (\*) and / or the composition and / or the structure of the material. No plating and / or coating is allowed.
- The diameter of the steel runner must be 16 mm along its entire length right up to the joints with the runner supports and the runner posts (a shortfall of up to 0.50 mm is permissible).
- The grooves and milled areas on the runners must be formed in such a way as to avoid any excessive damage to the ice surface of the track. The depths of the millings and grooves, measured from the surface of the ice, must not be greater than 2 mm.

Note (\*): The term “physical” is to be understood as a global term which comprises all specific terms like, for example, “mechanical”, “tribological”, “electromagnetic”, etc.

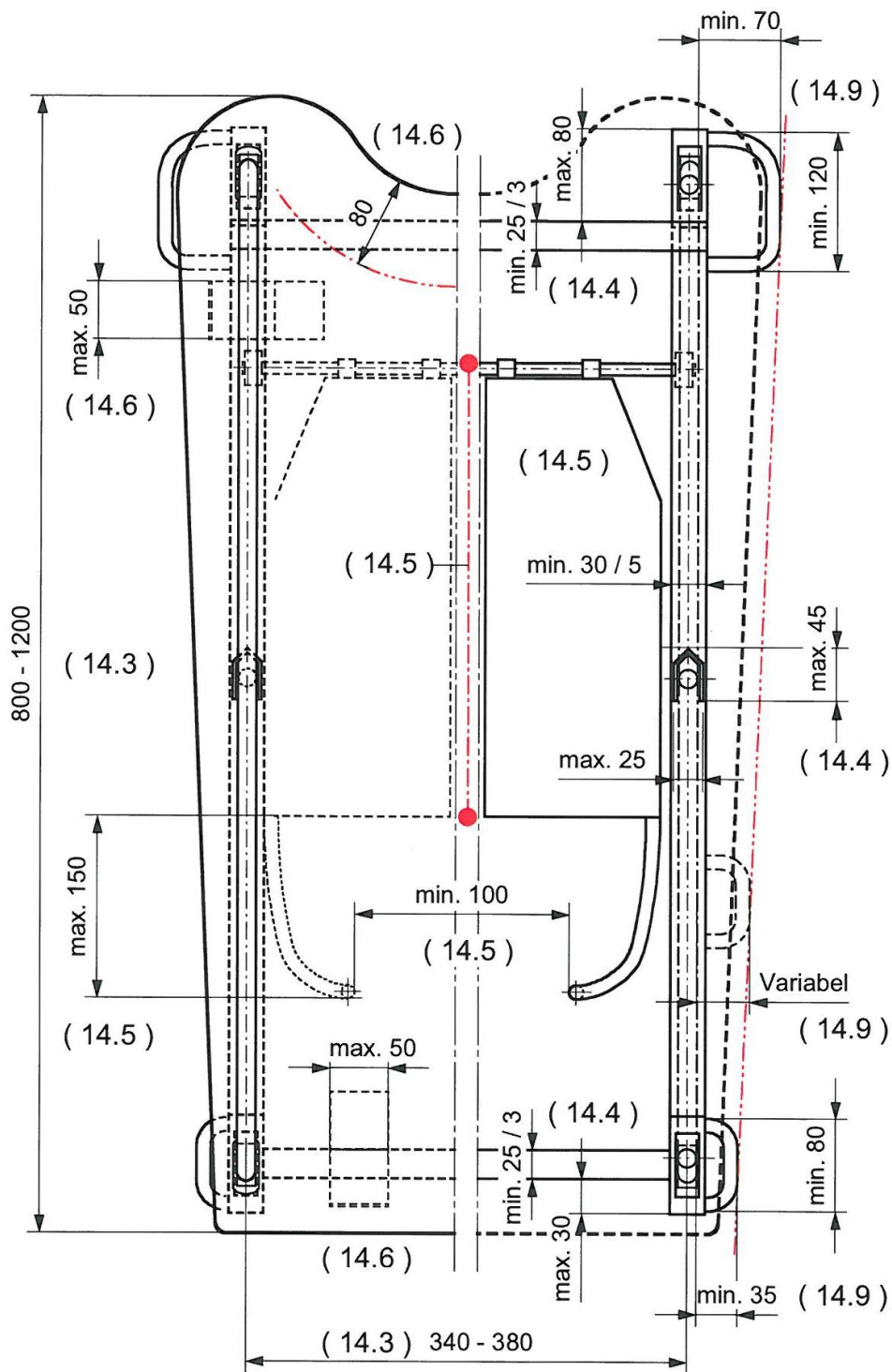
#### 14.9 Bumpers (Figures 1, 2 & 3)

- Secure bumpers must be mounted on the front of the sled on both sides. The minimum permitted distance between the outside edge of the runner and the outside edge of the front bumper is 70 mm. The minimum permitted length of each front bumper is 120 mm. The front bumpers may only protrude a maximum of 15 mm on the left and right outside edge above the supporting surface.
- Equally secure bumpers must also be mounted between the saddle and the rear end of the sled. The minimum permitted distance between the outside edge of the runner and the outside edge of the rear bumper is 35 mm (measured at the rear runner support). The minimum permitted length of the rear bumper is 80 mm. They may not protrude laterally beyond the front bumpers.
- If the rear bumper is mounted in the direction of the middle of the sled, the outside dimension must increase in a straight line to the front bumper.
- All bumpers must be constructed of one single piece of round steel (exception: mounting onto the construction frame). They must extend far enough beyond the base plate to allow them to be checked at any time. Minimum diameter is 12 mm. Minimum measurement of worn bumpers is 11 mm.
- It is the responsibility of the sled builders to produce bumpers with sufficient durability to be able to withstand repeated contact with the track walls.

#### 14.10 Sled Coverings

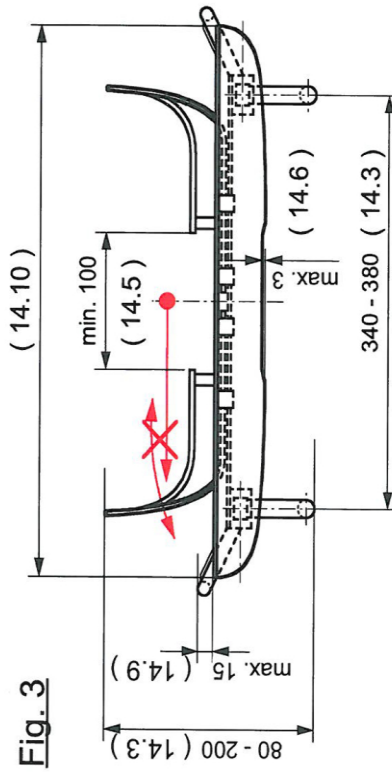
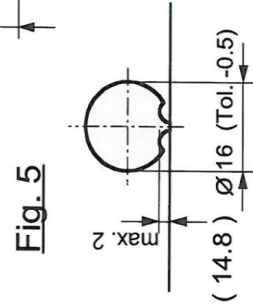
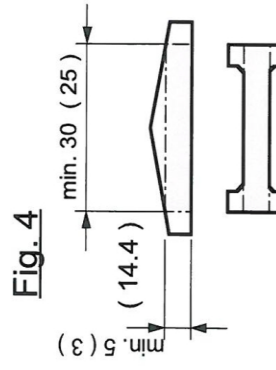
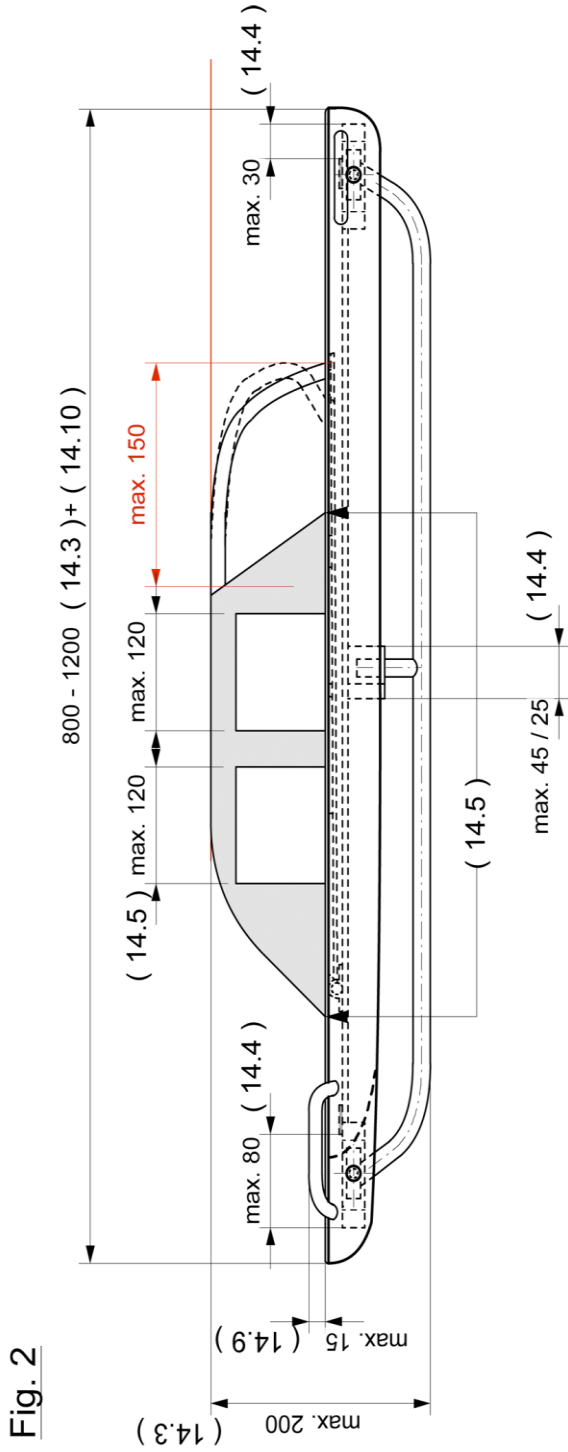
- The padding of the supporting surface at the front, rear and sides of the saddle (outside) must be horizontally flat. The width is determined by the outside edge of the sled. (Figure 3)
- No elevations, depressions or openings are allowed. This also applies to the inside of the saddle.
- Any protruding or sharp elements on the sled must be covered adequately, in order to avoid possible injury to athletes
- Sled coverings must be easily removable. (Figure 6)

# 14.11 DRAWINGS



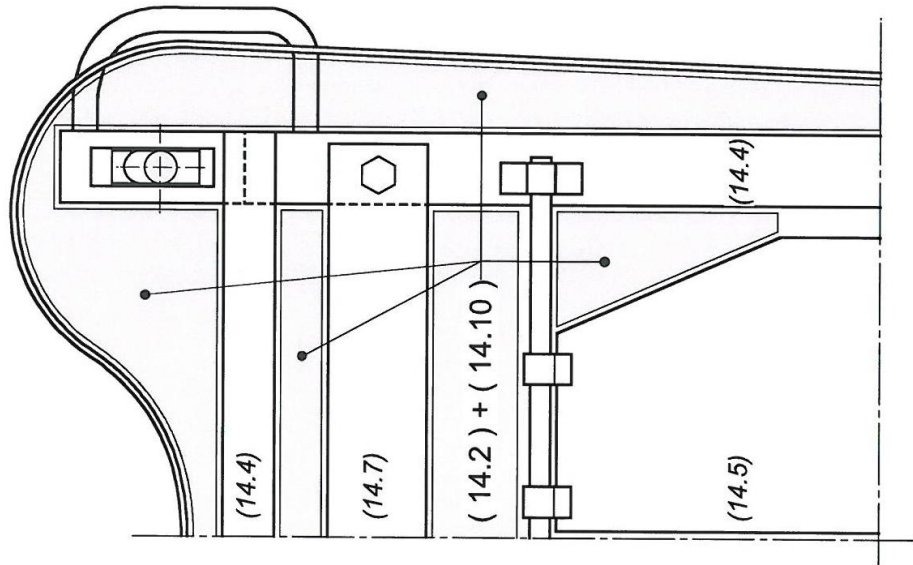
**Fig. 1** (0.0) = Art. Nr.

ALLE MASSE IN MM / ALL DIMENS. IN MM / TOUTES DIMENS. EN MM

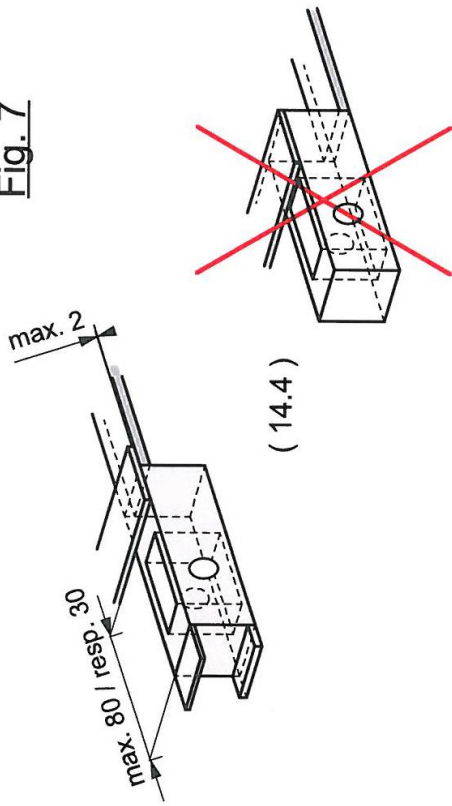


( 0.0 ) = Art. Nr. ALLE MASSE IN MM / ALL DIMENS. IN MM / TOUTES DIMENS. EN MM

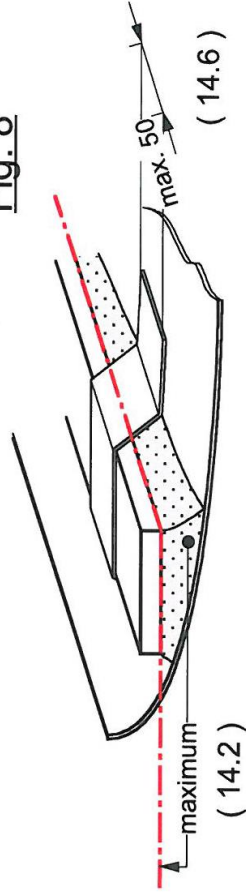
**Fig. 6** ( BEISPIELE / EXAMPLES )



**Fig. 7**

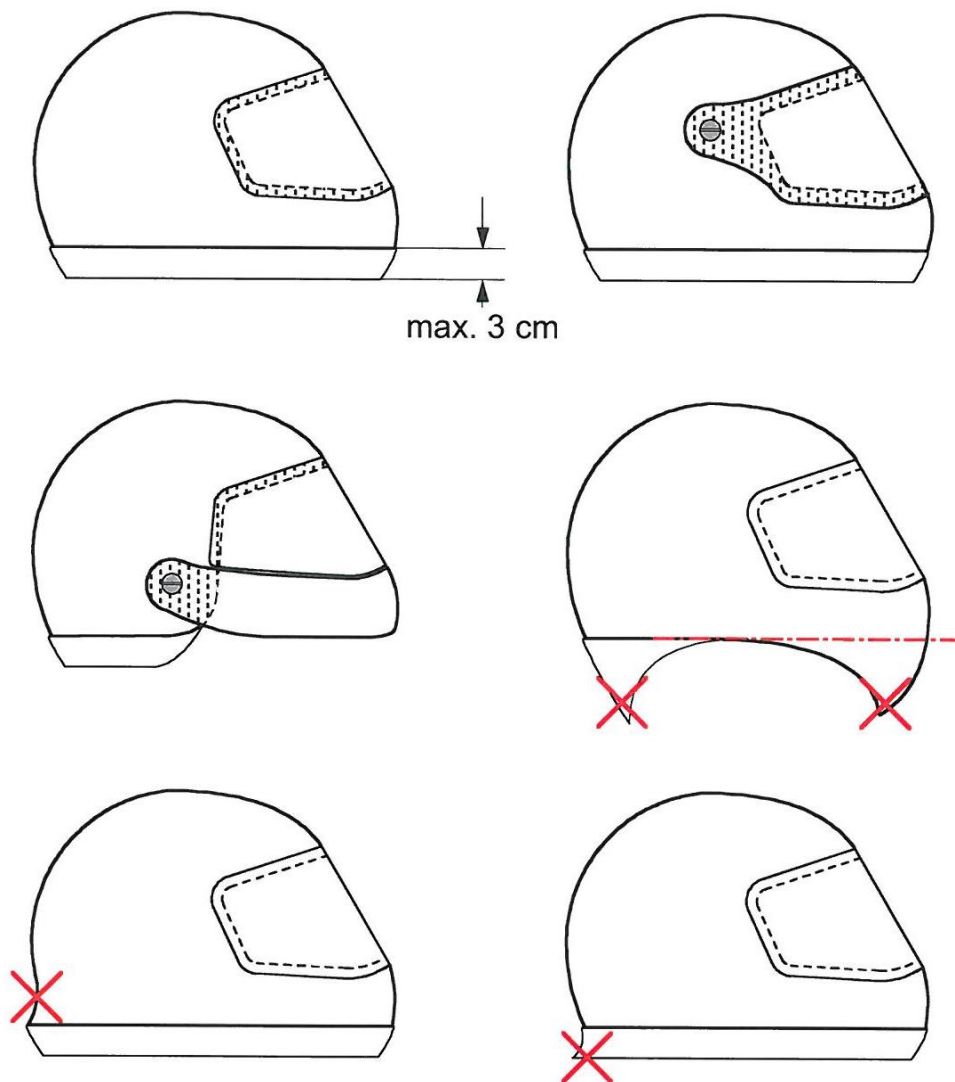




**Fig. 8**



( 0.0 ) = Art. Nr. ALLE MASSE IN MM / ALL DIMENS. IN MM / TOUTES DIMENS. EN MM

## 14.12 Equipment



-  Konkave Form erlaubt
-  kein Aerodynamische Verkleidung erlaubt

**Drawing for article 10.16.1**

## **15. APPENDIX 3: MATERIAL SEIZURE**

### **15.1 PROCEDURE FOR THE SEIZURE OF SLED COMPONENTS FOR CONFORMITY TESTS**

Empowered by the Jury and in the presence of at least one of its members, the FIBT Materials Committee responsible directs the official representative of the Federation to which the sled belongs to remove or disassemble the component(s) to be tested.

### **15.2 The Form**

Upon collecting the component(s), the FIBT Materials Committee will fill in a form drawn up in six copies, stating:

- general data of the team / athlete whose sled is being tested
- the name of the competition and the venue
- the date and time
- a description of the component(s) taken
- the type of test(s) the laboratory is required to perform
- a blank space for entering the laboratory analysis results

The following people will sign the form:

- the Jury President
- the representative of the FIBT Materials Committee
- the team captain or official representative of the Federation to whom the sled belongs

The six copies of the form will be sent to the following:

- one copy to the Jury President
- one copy to the FIBT President (via the General Secretary)
- one copy to the Chairman of the FIBT Materials Committee
- one copy to the team captain or official representative of the Federation to whom the sled belongs
- two copies to the laboratory, together with the container holding the component(s) to be tested

By returning one of the two copies of the form to the FIBT General Secretary, the laboratory confirms that it has received the container undamaged.

### **15.3 The Container**

The seized components will be sealed in a container.

### **15.4 Remarks**

The FIBT bears the costs of the laboratory analysis. In case of positive analysis results, the FIBT can order the costs to be reimbursed by the Federation to whom the sled belongs.



**PROTOCOL FOR SEIZURE OF SLED COMPONENTS FOR CONFORMITY TESTS**

Place: \_\_\_\_\_ Date: \_\_\_\_\_ Time: \_\_\_\_\_ Competition: \_\_\_\_\_

Event: \_\_\_\_\_ Nation: \_\_\_\_\_

Description of component/s taken: \_\_\_\_\_

Test/s required: \_\_\_\_\_

Name of Laboratory: \_\_\_\_\_

Laboratory result: \_\_\_\_\_

President of Jury                      Materials Commission                      National Federation  
Name: \_\_\_\_\_ Name: \_\_\_\_\_ Name: \_\_\_\_\_

Signatures: \_\_\_\_\_

The Laboratory \_\_\_\_\_ in the person of Mr. \_\_\_\_\_  
acknowledges receipt of the official container bearing unbroken seals, from Mr.

\_\_\_\_\_ on (date) \_\_\_\_\_ at (time) \_\_\_\_\_

Stamp: \_\_\_\_\_  
(signature)

## **16. APPENDIX 4: THE TRACK**

### **Combined Bobsleigh, Skeleton and Luge Tracks**

#### **16.1 Scope**

New combined bob, skeleton and luge tracks shall be constructed in such a way that they are suitable for the practice of bob, luge and skeleton racing with no limitations.

For the purpose of designing, constructing and using the tracks, the greatest attention shall be paid to the environment and its protection.

The directives which track constructors must observe shall be designed in such a way as to keep the costs of the tracks as low as possible and to guarantee satisfactory use of the installations after the Olympic Winter Games.

#### **16.2 Environmental Protection**

The environmental manual, 'FIBT and the Environment' is an integral part of these rules. It must be considered in the preparatory phase, in the design, and during operation of the track. [See Section 19 Appendix 7]

#### **16.3 Technical Commission**

The FIBT and the F.I.L. each constitute a commission which will supervise jointly the preparatory phase of the design, the design itself, the construction and the commissioning of each track.

The FIBT and F.I.L. Technical Commissions are at the disposal of bob, skeleton and luge track constructors and managers to provide consultancy free of charge.

#### **16.4 Preparatory Phase of Design**

The FIBT and F.I.L. Technical Commissions shall be called upon to effect an inspection and to provide consultancy before a decision is made regarding the terrain on which the track will be constructed.

The Commissions shall present a written report on the terrains, specifying the documents to be submitted to them for further consideration.

#### **16.5 Design in General**

The FIBT and F.I.L. Technical Commissions shall be periodically called upon during the track design phase.

The chosen terrain and the basic project shall be approved by the Commissions.

The same rule applies in case of changes regarding the choice of the terrain and the basic project.

#### **16.6 Location of the Track**

If possible, the track shall be located on the north side of the slope and be easily accessible via normal channels of communication. Its trajectory shall - as far as possible - follow the natural development of the terrain.

In order to guarantee optimal use of the track (after the Olympic Winter Games), it is of the utmost importance that the track be located close to a city or to a densely populated area.

#### **16.7 Length of the Track**

New Artificial combined bob, luge and skeleton tracks shall be 1200 - 1650 meters long, 1200 meters of which shall be sloping downhill. The last approx. 100 – 150 meters may consist, depending on speed, of an uphill stretch that shall have bends.

The maximum gradient of this stretch must not exceed 12%.

Speed at the finish shall be higher than 80 Km/hr.

After time-keeping at the finish, the stopping stretch shall be straight and not have any further bends.

## **16.8 Track Characteristics**

The track shall include elements of varying technical difficulty.

Particularly demanding elements in terms of driving technique shall be located in the first stretch which accounts for two thirds of the track.

At design level, it is to be foreseen to be able to reach a speed of between 80 and 100 Km/hr. after the first 250 meters.

Bends, combinations of bends and straight stretches of a suitable length shall be inserted into the track.

## **16.9 Starting Area: Bobsleigh and Skeleton**

### **16.9.1 Push-Off Stretch**

The push-off stretch means the part of the track between the start block (wooden board) and the first photo-electric cell.

This stretch shall be 15 meters long and have a gradient of 2%.

The rearmost part of this stretch must consist of a block (wooden board) fixed to the ground which must not be removed, nor passed.

### **16.9.2 Start Block (Wooden Board)**

The start block must be at least 150 cm long, 20 cm wide and 5 cm high from the surface of the ice.

### **16.9.3 Starting Area**

After the first photo-electric cell (start- line), the track must follow a straight path so that bobsleds starting off may reach a speed of 35 Km/hr. The track must be sufficiently wide in order not to obstruct teams.

The gradient of a 60 m stretch must be equal to 12%.

The stretch between the first photo-electric station must be 50 m long (starting time).

### **16.9.4 Preparation**

Behind the start block (wooden board), there must be a preparation area with a frozen base, of such a size that it can accommodate two bobsleds on the ice without obstructing the team about to start off.

### **16.9.5 Start Procedure Time Limit**

If the start does not take place within 60 seconds (bobsleigh) or 30 seconds (skeleton), the light must be switched to red. When the light is switched to red, an acoustic signal must be sounded.

## **16.10 Luge Start**

### **16.10.1 General Aspects**

For descents in men's, women's, junior and double luge events, the track must be equipped with all the necessary starting structures for guaranteeing the normal execution of trials in all specialties.

During competitions it must be possible to delimit the starting zone.

### **16.10.2 Starting Zone**

The following structures are part of the starting zone:

A horizontally frozen surface which enables the athlete to assume a sitting position on the luge.

The length of this horizontally frozen surface measured in the direction of push-off grips must be at least 2000 mm.

The length of the horizontally frozen surface between push-off grips and the beginning of the sloping stretch is 500 mm.

### **16.10.3 Push-Off Grips**

Two 'push-off' grips are fixed to the side of the track and they are adjustable vertically and horizontally, and can be used by the athlete to increase the initial speed.

Distance between the surface of the ice and the upper edge of the 'grips' at the same height: 230-250 mm.

Space between the two 'grips': 700 mm.

Width of 'grips' for hands: each grip at least 150 mm wide, 27 mm in diameter. Surface of the grip must be knurled in its whole width.

The 'grips' must be constructed in such a way that they cannot be distorted when subjected to traction by the athlete.

The 'grips' must be adjustable both horizontally and vertically, to ensure compliance with the above mentioned measurements.

#### **16.10.4 Starting Stretch**

The starting zone must be sufficiently curved in both its upper and lower parts (radius of the upper part at least 2 m, radius of the lower part at least 10 m), to allow the luge to enter the track without changing its trajectory.

The distance between the start grip and the first photo-electric cell must be approx. 7 m. The distance between the first photo-electric cell and the first intermediate time-keeping station must be approx. 3 - 6 seconds (start time).

The starting ramp and the track itself must meet at an angle of no more than 8°.

#### **16.11 Bends**

The bends must be constructed in such a way as to allow sleds to move not only along a single trajectory, but to provide a band of possible trajectories from which to choose.

In the central part of the bend, the trajectory should extend along the upper half of the bend.

Entries and exits from bends must be rounded so that the sleds can take them smoothly with no risk of capsizing, if no mistake is made in driving.

#### **16.12 Guardrails in Bends**

Guardrails in bends (bumpers) must be constructed in such a way that they return the sleds on to the track.

They must be sufficiently long and wide.

#### **16.13 Centrifugal Force**

The maximum time for which centrifugal force of '4G' may occur is 3 seconds.

The maximum centrifugal force allowed is '5G'; this centrifugal force must not last for more than 2 seconds.

No centrifugal force in excess of '5G' is allowed.

#### **16.14 Straights**

In the iced construction, maximum width is 140 cm. The external part of the side walls of the straight stretches should not be higher than 80 - 100 cm, including any raised section.

In the iced state, the inside part of the side walls must be at least 50 cm high.

The side wall of straight stretches must be at a right-angle to the track base.

The transition between the side wall and the base of the track must be provided with a channel. In the iced state its radius must be 10 cm.

In transitions linking a bend to a straight, the raised part of the bend must run into the side wall of the straight gradually in a sufficiently long section.

### **16.15 Deceleration Stretch**

The deceleration stretch must be constructed in such a way that the bobsled, the skeleton and the luge can stop even without applying the brakes. The gradient of the deceleration stretch must not be in excess of 20%.

At the end of the iced stretch, sleds must be able to continue without any obstacle. If considered necessary, at speeds less than 30 Km/hr., special cushioning devices may be installed, in order to avoid any injury to people and to restrict damage to sleds to a minimum.

For skeleton, sufficient foam rubber mats have to be made available. If possible water-repellent (approx. 100 x 150 cm, maximal thickness 6 cm.).

### **16.16 Lighting**

In the event lighting should be required for training and competitions, the following conditions must be complied with:

- a) Uniform lighting intensity, without shadows and reflection.
- b) The lighting system must be powered by two independent systems, one of which must also be independent of the mains power supply.
- c) If one of the two circuits breaks down, 50% of the planned lighting capacity must be nevertheless guaranteed.

### **16.17 Solar and Weather Protection Devices**

The stretches of the track exposed to the sun and / or to adverse weather conditions must be protected by means of proper devices.

On bends, protection may be provided by fixed roofs combined with the coverings of the bends.

On straight stretches, a removable type of covering, open on one side of the track, must be adopted. It is forbidden to install roofs with fixed coverings on straight stretches. Any pillars and fixture systems shall be at a distance of 50 cm from the inside of the track wall.

Coverings shall not interfere significantly with television filming or the view of spectators. They should possibly be of the removable type.

Local climate conditions must be duly considered.

### **16.18 Water Supply**

A plumbing system must be installed along the track, protected from freezing and provided with a sufficient number of properly protected hydrants.

Access to the hydrants from the track must be guaranteed.

### **16.19 Catwalks**

Catwalks must be installed along the track, along which members of the Jury, the Technical Delegate and trainers may stand. Access by spectators to these catwalks must be prevented.

The position of these catwalks is established by the Technical Commissions on approval of the project.

### **16.20 Infrastructures - Ancillary Facilities**

The spaces for the warming up section, shelters to store bobsleds, the building at the starting zone and for weighing, must be sufficiently large.

In particular sufficiently large areas for warming up of athletes shall be foreseen in the open air.

A medical first-aid room, an anti-doping room, a room for controlling material and a press center shall be foreseen.

Ancillary facilities may also be of a temporary type.

Their construction is established jointly by the author of the project and the Technical Commissions.

### **16.21 Buildings at the Start and Finish**

Two buildings must be constructed at the Start, one of which must be situated near the upper starting zone, namely for bobsleigh, skeleton and single luge (men). The other shall be located near the lower starting zone for the single luge (women), double luge (men) and juniors. There is only one building at the finish for all specialties.

### **16.22 Partitioning of Costs**

The budget and the costs for building a combined bob and luge track are to be presented as follows:

- a) Costs of the track and infrastructures resulting from the compliance with these rules and with the directives of the FIBT and F.I.L.
- b) Remaining costs, e.g. longer track, improved infrastructures, approach roads, developments, etc.

The exact partitioning is determined between the constructor and the Technical Commissions of the FIBT and the F.I.L.

### **16.23 Exceptions**

Exceptions may be made in certain cases. These exceptions must be authorized in writing by the Vice Presidents of the F.I.L. and the FIBT

However, these decisions shall not affect safety, nor imply any significant reduction in sporting value and shall not interfere with television filming.

### **16.24 Homologation**

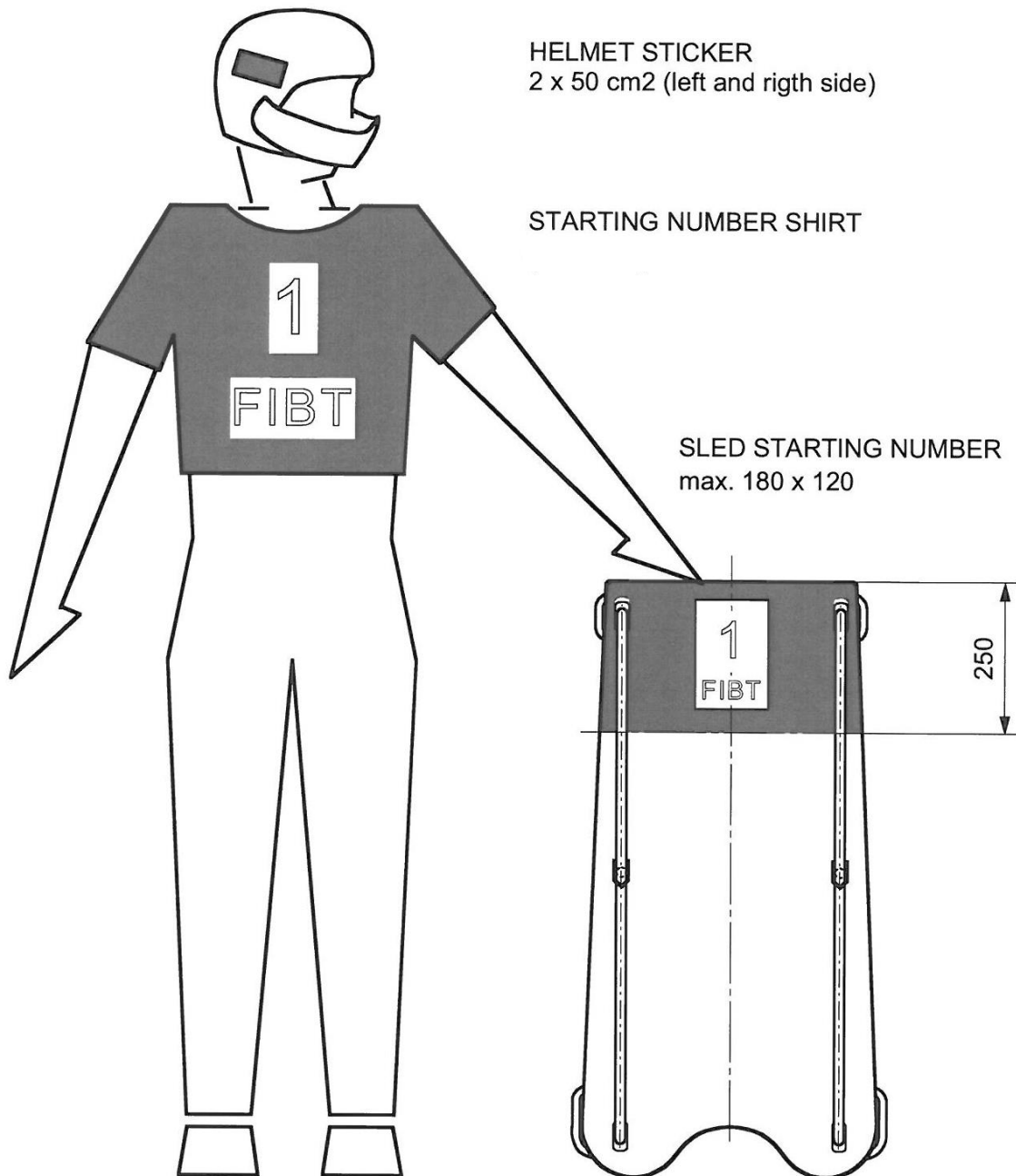
Before FIBT competitions take place, recently constructed or restructured bob, skeleton and luge tracks must be homologated by the FIBT Technical Commission.

For this homologation, the FIBT assumes no responsibility for the accuracy of calculations nor for the execution of works for constructing or restructuring the track. (This responsibility shall be assumed by the architect / engineer who designed the track and by the construction company).

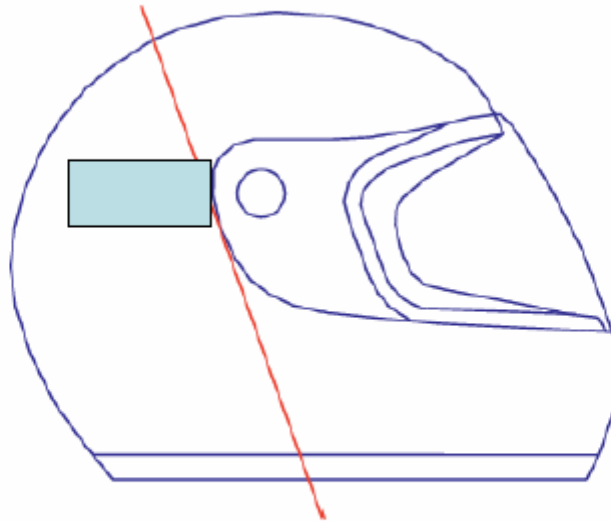
## 17. APPENDIX 5: ADVERTISING GUIDELINES AND DRAWINGS

■ F.I.B.T. Properties / Fläche für F.I.B.T. / Espaces F.I.B.T

□ Available for NF's / Den NV zur Verfügung stehend / Surface à disposition des FN's



## Bob / Skeleton helmet



FIBT properties: helmet (bob & skeleton)

Left and right side of the helmet, as close as possible to the visor

Size: 50 cm<sup>2</sup>

## 18. APPENDIX 6: THE FIBT AND THE ENVIRONMENT

### 18.1 Our Events

In recent years, event organizers have become more aware of the potential impact of major sporting events on the environment – in terms of pollution, ecosystems, and waste. As a result, environmental protection has become an increasingly important issue. “FIBT and the Environment” has been prepared for track managers and event organizers to host environmentally responsible sports events. Every sport and every occasion has its own characteristics and it would be impossible to cover all eventualities, but whether the event is large or small, one-off or recurrent, it will have many basic attributes in common with others.

The FIBT through its membership of the Olympic Movement is a supporter of the IOC’s Agenda 21



programme that sets out the principles and guidelines for Sport for sustainable development.

The facilities used in the exercise of our sporting disciplines can have a major impact on the environment, both the act of construction and subsequently in their operation over the lifetime of the facility. It is therefore important that all venue owners, managers and users accept that protection of the environment must remain an important element of our planning and event delivery.

## **18.2 Seven steps to greening your event**

### **18.2.1 Adopt a green policy**

The first step is to adopt an environmental policy, and determine what you want to achieve, set targets, and adopt measures to evaluate your success. Normally there will be at least two principal parties: the Race Organizers and the race venue. All main partners should approve the policy in order to establish a solid commitment to the programme.

### **18.2.2 Carry out an 'Environmental Scoping Review' of venues and operations**

For each event, it is essential to establish base line information on current environmental performance, and to identify specific opportunities for 'greening' the event. Where venues are used repeatedly, the previous occasion will provide a benchmark for subsequent events.

### **18.2.3 Establish environmental teams**

The role of the Event Director will be pivotal in implementing the environmental programme. He / she should assemble and coordinate a core team to carry this through – e.g. Site / Venue Manager, Head of Staff, Environmental Consultant and other technical specialists. Other experts or interest groups may be included if appropriate, e.g. a representative from the local authority, or from relevant statutory agencies.

### **18.2.4 Define programmes and set appropriate targets**

Targets need to be bold enough to be credible, but must also be attainable. It will be important to communicate the environmental policy and details of the programme to staff, suppliers, contractors, sponsors and officials, so that everyone can play their part.

### **18.2.5 Implement programmes**

Venue-related measures will normally be in operation for as long as possible preceding the event. The event-related measures are likely to be temporary, covering the immediate build-up to, and duration of, the event.

### **18.2.6 Monitor implementation and adjust programme accordingly**

The ability to measure and record basic environmental parameters is the first real test of performance and the effectiveness of the programme.

### **18.2.7 Evaluate and publicize results**

The major gain from this process is raising awareness, both among the sports community and the general public. The green message can be emphasized during the lead-up, at the event itself, and as part of the post-event legacy. As far as possible it should be integrated within the normal event communications.

## **18.3 Action Plan**

### **18.3.1 The impact of our sport**

Climate change causes warmer winters and makes ice-making harder and more energy-intensive

From the moment an athlete begins to use equipment, apparel or facilities, there is an "ecological footprint" - an impact on the natural environment. On an even greater scale bobsleigh tracks will contribute to global and local environmental concerns. Building and managing a bobsleigh track and running an event can contribute to energy consumption, air pollution, greenhouse gas emissions and

waste creation, as well as to ozone layer depletion, habitat and biodiversity loss, soil erosion and water pollution.

Bobsleigh and Skeleton tracks can affect the environment in the following ways

- Development of fragile or scarce land types [most tracks are located in vulnerable mountain areas]
- Pollution from liquid spills [refrigerant, fuels, cleaners, solvents]
- Noise and light pollution
- Consumption of non-renewable resources (fuel, metals)
- Consumption of natural resources (water, wood, paper)
- Creation of greenhouse gases by consuming electricity and fuel
- Ozone layer depletion (from refrigerants)
- Soil and water pollution from refrigerant use
- Soil erosion and compaction during construction and from spectators
- Paper consumption by media and officials

### 18.3.2 The Facility

Bobsled, Skeleton and Luge tracks are costly, single-purpose facilities that require considerable terrain and construction materials and which can use potentially harmful refrigerants. There are, however, ways to minimize their environmental impact.

- Design  
Tracks should follow the existing terrain and be partially underground wherever possible for reasons of energy efficiency, aesthetics and reducing demand for building materials. Where feasible, the use of all-natural ice tracks should be considered.
- Coolants  
Cooling systems must be carefully designed to prevent any possible leak into the atmosphere of either ammonia or synthetic coolants. Ammonia poses a health risk and synthetic coolants harm the ozone layer when leaked.
- Energy efficiency  
Tracks should be kept cooled only when demand is sufficient. Screens shading the track from the sun should be used wherever a demonstrable energy savings will result.
- Impacts on the Environment  
Tracks can require bulldozing of slopes and cutting of trees  
Impacts of facility maintenance activities [noise, pollution, disruption of the natural environment]  
Waste generated from signs, food services, banners, temporary booths, etc

## 18.4 Areas of action

Managing a Bobsleigh and Skeleton event involves a wide range of actions related to the concentration of infrastructures and people. Environmental measures can be included in several areas of action.

### 18.4.1 Location and landscaping

Location is the critical point of a facility or event. It determines not only its environmental impact but also its accessibility, proximity to users and visual impact. The choice of location can either reduce or intensify the negative influence of the facility or event. An environmentally sound site is usually financially sound as well.

The site selection occurs during the planning of new facilities or of national / international championships. Selection criteria have to be applied during the decision process.

The objectives are to:

- Minimize environmental impacts by choosing the most convenient site
- Conserve and protect special landscapes

#### **18.4.2 Environmental elements to consider when choosing a location for sports venues are:**

- Legal and physical boundaries, private holdings and public easements
- Buildings, bridges and other structures, including those of historical and archaeological significance
- Roads, paths and sidewalks
- Availability of public transport
- Electric lines, water, sewer and gas mains
- Solid waste: disposal sites, treatment plants, management and transportation
- Wastewaters: sewers, treatment plants
- Land use: residential, commercial, industrial and other applicable ordinances

#### **18.4.3 Natural resources:**

- Protected sites
- Forests
- Water resources
- Air quality

#### **18.4.4 Natural elements:**

- Climate conditions
- Local morphology

#### **18.4.5 Perceptual elements:**

- Landscapes
- Special elements
- Aesthetic values
- Cultural values

#### **18.4.6 Detailed planning, once the site location has been selected:**

- Plan the integration of the event or facility into the landscape
- Foresee protection measures
- Foresee restoration measures
- Foresee compensation measures

### **18.5 Sport facilities**

Our tracks and associated facilities constitute the most visible part of our sports events or organisation. Their location, construction, materials and operation processes are potentially sources of high nuisance and damage. This may include land waste, landscape harm, high-energy consumption, pollution and waste of financial resources when such sports events or organisations are not adequately planned or seriously managed.

Our objectives are to:

- Avoid venues and locations with little or no post event usage
- Reduce location-related impacts (landscape, land use)
- Minimize energy consumption
- Reduce pollution

#### **18.5.1 Planning phase**

First of all, the advisability of the project has to be justified in order to avoid unnecessary and over-sized facilities.

When carrying out detailed planning, environmental criteria should be part of the decision-making process. During this phase, the project management team is responsible for establishing a detailed project aiming at detecting and minimizing all foreseeable impacts. Architectural studies are realised,

building materials selected and maintenance processes determined. Thinking of the environment at this stage can help you as an organiser and event planner avoid subsequent problems.

Advisability of the project

- Real need for a new facility
- Opportunity to use or restore existing facilities
- Sizing of the facility
- Future use and needs after the event
- Use of temporary installations for support facilities when there is no future need
- Financing plan including construction, maintenance and operation costs

### 18.5.2 Detailed planning

- Avoid illegal building
- Include energy concerns in architectural plans, and especially thermal considerations, in order to minimize the energy required to cool or / and heat the building
- Promote environmentally sound technologies like solar energy, heat pumps
- Plan an environmentally sound operation phase
- Plan compensation and restoration measures if necessary
- Select building material as follows:
- Select materials for thermal performance
- Seek maximum recycled content and recyclable materials
- Choose durable, easily repairable or interchangeable items
- Select materials free of hazardous or toxic products
- Choose products which will not need to be disposed of as hazardous waste
- Use materials that are available in the region
- Plan an architectural integration into the landscape

### 18.5.3 Construction phase

During this phase, accidents and disruption can occur [accidental release of toxic substances, increased traffic, soil packing or noise]. The sound and rigorous planning of construction can protect not only the environment, but also the workers and the people living nearby.

- Build at a time of the year when animal life and humans will be least disturbed
- Install acoustic isolation if necessary
- Plan soil management
- Use appropriate engines
- Avoid where possible the use of toxic substances
- Plan the management of all substances being used in the work place (storing, use, evacuation and treatment)
- Ensure that the project is in conformity with building plans
- Use environmentally sound construction techniques and materials

### 18.5.4 Operational phase

The operational phase is almost always the longest in a facility's life. The facility is supplied with water, energy and other goods, the equipment is maintained and the waste removed. The facility hosts training and competition activities. It is possible to adopt a "green step" approach for all these activities.

- Prevent erosion by avoiding fragile areas and reinforcing critical passages
- Avoid wildlife habitats
- Build roads without asphalt
- Promote ecological behavior among athletes by informing them on issues such as waste collection and protection of fauna and flora
- Saving energy with:

- Heating, refrigeration and ventilating systems
- Lighting systems
- Hot water systems
- Equipment
- Reducing risks caused by chemicals:
  - Avoid or replace dangerous chemicals
  - Store them carefully
  - Follow instructions for use and local health and safety regulations
  - Ensure that they are disposed of and treated in an environmentally sound manner
  - Ensure ecological planning and management of adjacent surfaces (avoid pesticides and chemical fertilisers, introduce several plant species, etc.)
- Reduce noise and disturbance

### 18.5.5 Sports equipment

The development of new technologies in sports equipment has led to the use of new substances in the manufacturing processes.

Some of those substances are potentially toxic and can be damaging during the manufacturing, use or disposal of the equipment. A point to keep in mind is the shorter life span of some equipment, which becomes obsolete before being out of order, and generates waste as a result.

The FIBT's objectives are to:

- Reduce pollution due to sports equipment
- Reuse and recycle articles where possible
- Promote environmentally sound equipment and local manufacturing knowledge

We will work closely with sponsors and suppliers to ensure that their products and services are environmentally friendly. We will achieve this by establishing a standard contracting process. Sponsors and suppliers will be encouraged to follow environmental requirements and comply with them. They have to assume their own role in the quest for environment-friendly sport. Requirements for the manufacturers of our sports equipment and our sponsors include the provision of information on their production processes, their waste management systems, the use of reduced packaging, the reusability and non-toxicity of their products, etc.

We will also encourage companies manufacturing our sports equipment to obtain ISO 9,000 and 14,000 certificates for Quality Assurance and Environmental Management.

With regard to the issue of sports equipment, our member federations and athletes have an opportunity to act at their own level and we will encourage these parties to:

- Choose environmentally sound articles (cotton, natural fibres, etc.)
- Promote the use of locally and ecologically made products instead of imported ones which saves energy, transportation, money and contributes to promoting local knowledge and employment
- Arrange a trading market / day for equipment which is no longer suitable / no longer in use

### 18.5.6 Transportation

Transportation is required to get to the sports facility and much of it usually takes place in private cars. Transportation contributes to many environmental hazards, particularly air pollution (greenhouse effect, ozone formation at ground level) and related health problems. A reduction in the distances travelled with private cars, incentives to promote public transportation and non-polluting transport together with sound transportation planning could greatly minimise air pollution, noise and disturbance, in sensitive mountain environments well as the extent of land use.

The FIBT's objectives are to

- Minimize transportation
- Promote collective and or public transportation

- Encourage environmentally friendly transportation

This can be achieved by:

- Selecting specific transportation systems which minimize energy use and reduce pollution
- Encourage public transportation systems over private transportation
- Issue tickets for the event that entitle their holders to free public transit rides
- Encourage access to the tracks on foot wherever possible
- Encourage the use of collective transportation for trips to meetings and events
- Organise collective transportation where motor transport is necessary

### 18.5.7 Energy

Most of the energy used around the world is currently unsustainable. It is largely produced by non-renewable sources such as fossil fuels, which cause a great deal of pollution and are the biggest contributor to global warming and localised air pollution. Many forms of energy production, like nuclear plants or fossil fuel burning, involve some degree of risk to human health or to the environment.

In sports events, energy is required to produce goods that are consumed, to run the event and related facilities, and to transport people and products to the event. As in other human activities, the energy used is mainly produced with non-renewable resources.

The FIBT's objectives are to:

- Reduce energy consumption
- Promote renewable energy and new technologies
- Promote equipment and facilities with smaller energy demand

This can be achieved by:

- Promoting awareness through education at all levels
- Being energy-wise; not only at the facility level but also by such action as switching off electrical appliances when they are not in use
- Checking the lights; and keeping facility lighting to a minimum
- Insulate tracks, buildings and support facilities in order to keep them cool or warm, as the case may be
- Explore alternatives energy sources, try to use solar energy to heat water, provide electricity, or both; if available, use small hydraulic plants
- Promote energy conservation measures, select equipment and materials accordingly
- Hold meetings with local energy supply companies to get tips on further energy saving measures

### 18.5.8 Accommodation and catering

Our events, whether championships or local competitions, attract a large number of persons, i.e. athletes, coaches, organisers, journalists, staff members, sponsors, spectators, who require catering and accommodation for several days.

The FIBT's objectives are to:

- Minimize waste
- Avoid useless construction

This can be achieved by:

- Respecting sanitary conditions
- Reducing packaging
- Recycling goods used
- Using existing facilities (to cook and wash)
- Replacing disposable dishes with reusable ones where possible
- Building temporary facilities and hotels if there is no guaranteed need for them after the event

### 18.5.9 Water management and sanitation

Freshwater resources are finite and exist in a closed system. Water supply depends on full rivers, lakes, and accessible aquifers and the need for drinking water and irrigation and, increasingly, the need of power for our industries. In most parts of the world, freshwater resources are being subjected to intense pressure. Industrial wastes, sewage and agricultural runoff overload rivers and lakes with chemicals, wastes and nutrients, poisoning water supplies as a result. When practicing our sports water is needed to satisfy track building, track maintenance, drinking, washing and maintenance needs. Water is part of our sports facilities.

The FIBT's objectives are to:

- Satisfy the needs generated by the sports event without endangering the water supply of the region
- Protect water resources
- Treat wastewater

This can be achieved by:

- Ensuring that the water provided to the track is of good quality; if not, take measures to purify it:
  - Filter your water
  - Boil the water for at least five minutes
  - Use iodine (two drops per liter) or tablets; only use chlorine if absolutely necessary
- Using water efficiently; turning off the tap when you are not using water is the simplest and most effective way to save water, whether washing your hands, brushing your teeth or shaving; turn on the water only when needed.
- Reducing the use of water required to maintain the track, e.g. the watering water
- Encouraging sound sustainable water resource management programmes including:
  - Water conservation and recycling practices
  - Recycling of treated storm water and sewage effluents
  - Landscape design that decreases water requirements
  - Building and infrastructure design to collect wastewater for recycling
- Waste water management:
  - Ensure the treatment of all wastewater
  - Verify the quality of treated wastewater
  - If no wastewater treatment plant is available in your region, build your own sanitary system (possible at limited costs)
  - Reuse treated water for field irrigation, bathrooms services, etc.
- Watch out for toxins that may remain in your facility

### 18.5.10 Waste management

Our facilities and events can generate considerable waste, some of which cause little more than dirt or minor disturbances, while others have a harmful and lasting effect on the environment and human health. Waste is unavoidable, but sound management ensures that waste quantities are kept to a strict minimum.

The FIBT's objectives are to:

- Minimize waste to be disposed of and treated
- Minimize pollution due to waste

This can be achieved by:

- Reducing the amount of materials handled
- Avoiding useless packaging through discussions with your suppliers
- Using as few disposable products as possible at your events
- Choosing carefully the goods and materials handled, in particular:
  - Avoid goods containing toxic substances

- Choose reusable or recyclable goods
- Choose goods whose waste can be appropriately treated in the treatment plants located in your region
- Implementing sorting at source (sufficient and separate rubbish bins)
- Dispatching the materials to recycling markets
- Separating hazardous waste from domestic waste
- Treating all waste properly
- Implementing a waste management programme if necessary

## **18.6 Large-scale Sports Events: Specific Recommendations**

Large-scale sports events attract high numbers of people and necessitate the handling of large quantities of goods. This concentration of people in time and place represents a potential danger for the environment. Some measures have to be taken in order to limit the impact.

### **18.6.1 Sports facilities**

- Use provisional installations for the facilities not needed in the long term such as spectator stands and bleachers; encourage improvement of existing facilities
- Use provisional and module equipment which is easy to transform and reuse
- Guarantee to restore provisional facilities and encourage the restoration of damaged sites

### **18.6.2 Transportation and air quality**

- Implement transport strategies to ensure the efficient movement of people (athletes, equipment, coaches, journalists, officials and spectators)
- Establish a transportation concept promoting transport on foot and public transportation
- Establish an air quality plan for the area
  - Monitor emissions
- Encourage major air polluters, including public utilities to take permanent steps to
  - Reduce their emissions prior to the event
  - Establish energy management strategies
  - Encourage transportation fleet operators to take steps to reduce emissions
  - Work with municipal officials to reduce traffic

### **18.6.3 Energy**

Establish an energy management programme for the area taking into account the transportation system and track facilities

### **18.6.4 Waste management**

- Host tracks have the capacity to adopt waste disposal procedures throughout the area in accordance with the event, using techniques that may in turn be applicable to future arrangements; it is advisable to:
  - Reduce the amount of materials handled
  - Establish environmental requirements for the event's suppliers and donors
  - Separate recyclable materials at the source by the waste generator,
- And separate collection
  - Separate household and manufacturing waste at the source
  - Dispatch materials to recycling markets
  - Deal with all waste in a safe and cost-effective manner
  - Implement a comprehensive strategy for materials and waste management
  - Emphasize communication with education
  - Choose products according to cost / performance over their entire life-span

---

### 18.6.5 Environmental message to the public

- Internal environmental awareness: all the members of the organisation, senior managers and volunteers alike, should be informed of the broader rationale for their duties.
- External environmental awareness: people of the region must understand the environmental policies and objectives that are being established. Education and communication are essential to the success of sustainable development.

### 18.6.6 Finances

Include environmental costs in the budget from the outset